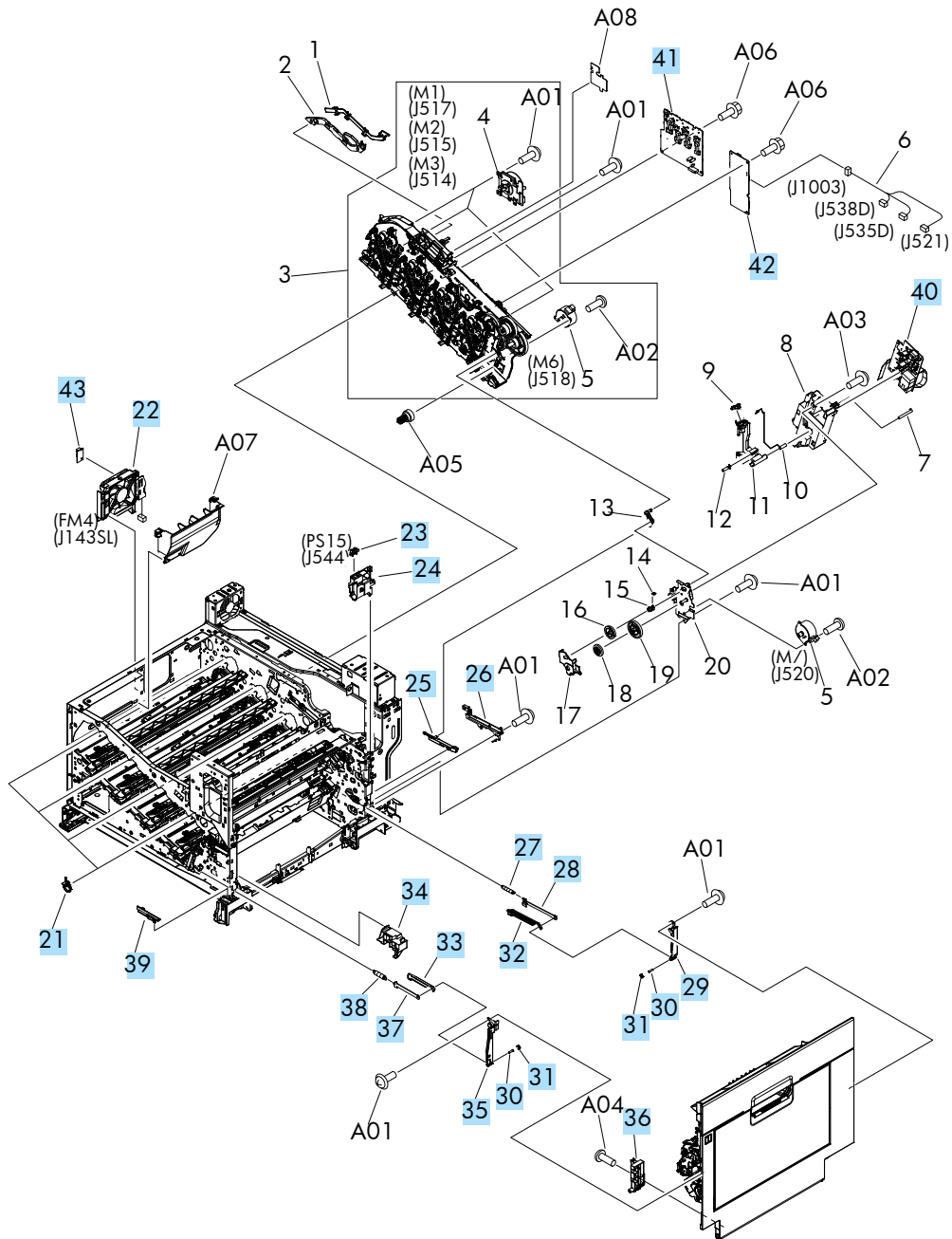


## Internal assemblies (4 of 8)

Figure 2-19 Internal assemblies (4 of 8)



**Table 2-22 Internal assemblies (4 of 8)**

<b>Ref</b>	<b>Description</b>	<b>Part number</b>	<b>Qty</b>
21	Support, developing coupling	RC2-6811-000CN	4
22	Cartridge fan (FM4)	RM1-9364-000CN	1
23	Photointerrupter	WG8-5935-000CN	1
24	Holder, door detect, right	RC3-4687-000CN	1
25	Arm, ITB coupling release	RC2-6824-000CN	1
26	Rail, door link, rear lower	RC2-6635-000CN	1
27	Spring, tension	RU6-2744-000CN	1
28	Plate, right door link, rear	RC2-7273-000CN	1
29	Plate, right door link fixed, RR	RL1-2282-000CN	1
30	Shaft, right door link	RU5-4979-000CN	2
31	Lock, door link, right	RC2-7234-000CN	2
32	Link, right door, 2 rear	RC2-7236-000CN	1
33	Link, right door, 2 front	RC2-7233-010CN	1
34	Duct, joint	RC2-8360-000CN	1
35	Plate, right door link fixed, FR	RL1-2281-000CN	1
36	Hinge, right door, front	RC2-7094-000CN	1
37	Plate, right door link fixed, front	RC2-7272-010CN	1
38	Spring, tension	RU6-2727-000CN	1
39	Rail, door link, front lower	RC2-6634-000CN	1
40	PCA, 2cnd transfer H.V.P.	RM1-6802-000CN	1
41	PCA, 1st transfer H.V.P.	RM1-7004-000CN	1
42	PCA, driver	RM1-8899-000CN	1
43	Sensor, environmental PCA	RK2-2884-000CN	1