

Scanner assemblies

Figure 2-10 Scanner assemblies

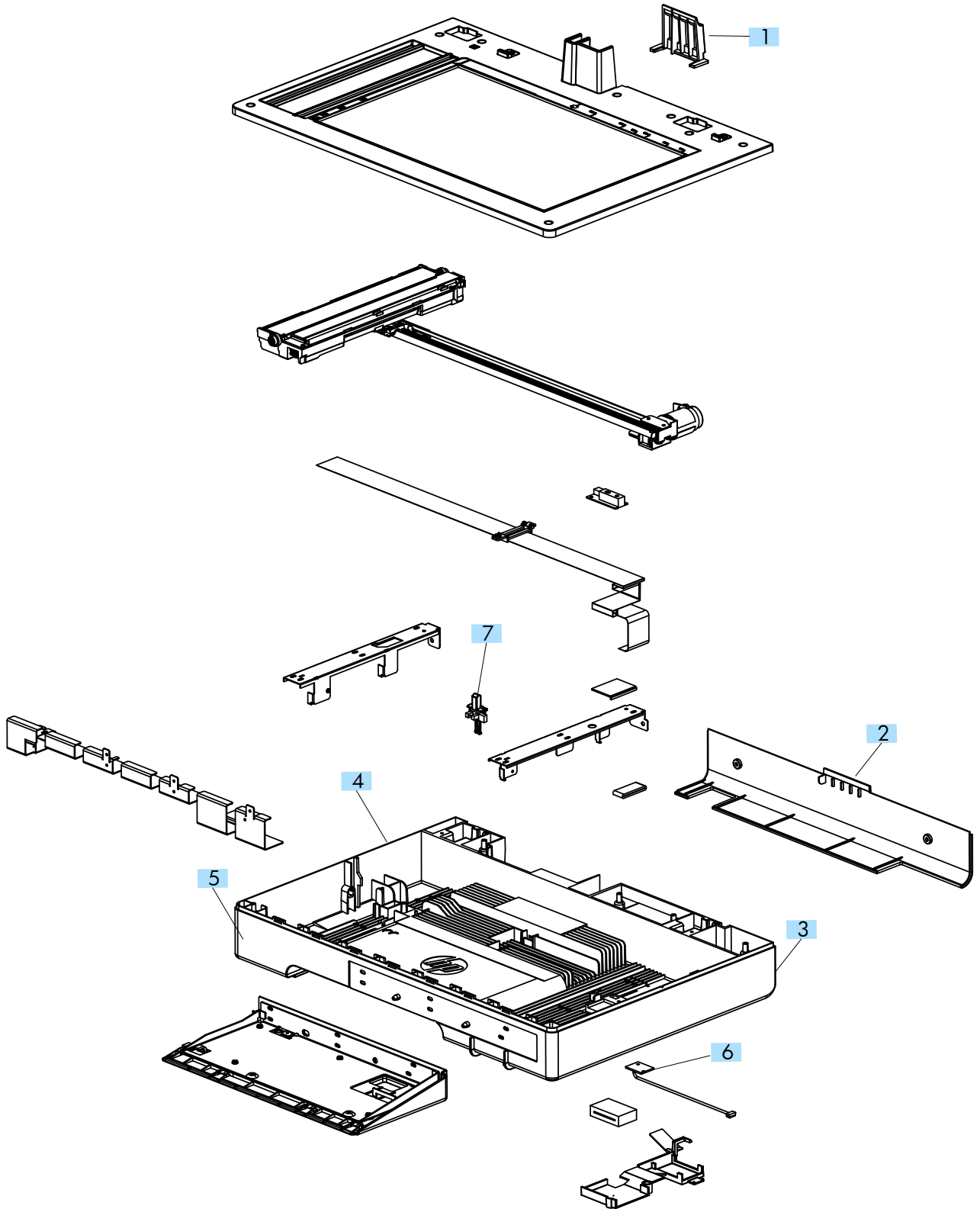


Table 2-13 Scanner assemblies

Ref	Description	Part number	Qty
All shown	Flatbed scanner Assy (complete) ¹	CC522-67922	1
1	Cover, ADF cable	CC522-40023	1
2	Cover, back scanner	CC522-40017	1
3	Cover, right scanner	CC522-40022	1
4	Cover, front scanner	CC522-40020	1
5	Cover, left scanner	CC522-40021	1
6	PCA, scanner memory	5851-4285	1
7	Flag, document feeder open sensor	CC522-40029	1
Not shown	Spring, document feeder sensor	CC522-80101	1

¹ Does not include the scan control board (SCB).