

Stapler/stacker components

Figure 2-13 Stapler/stacker components

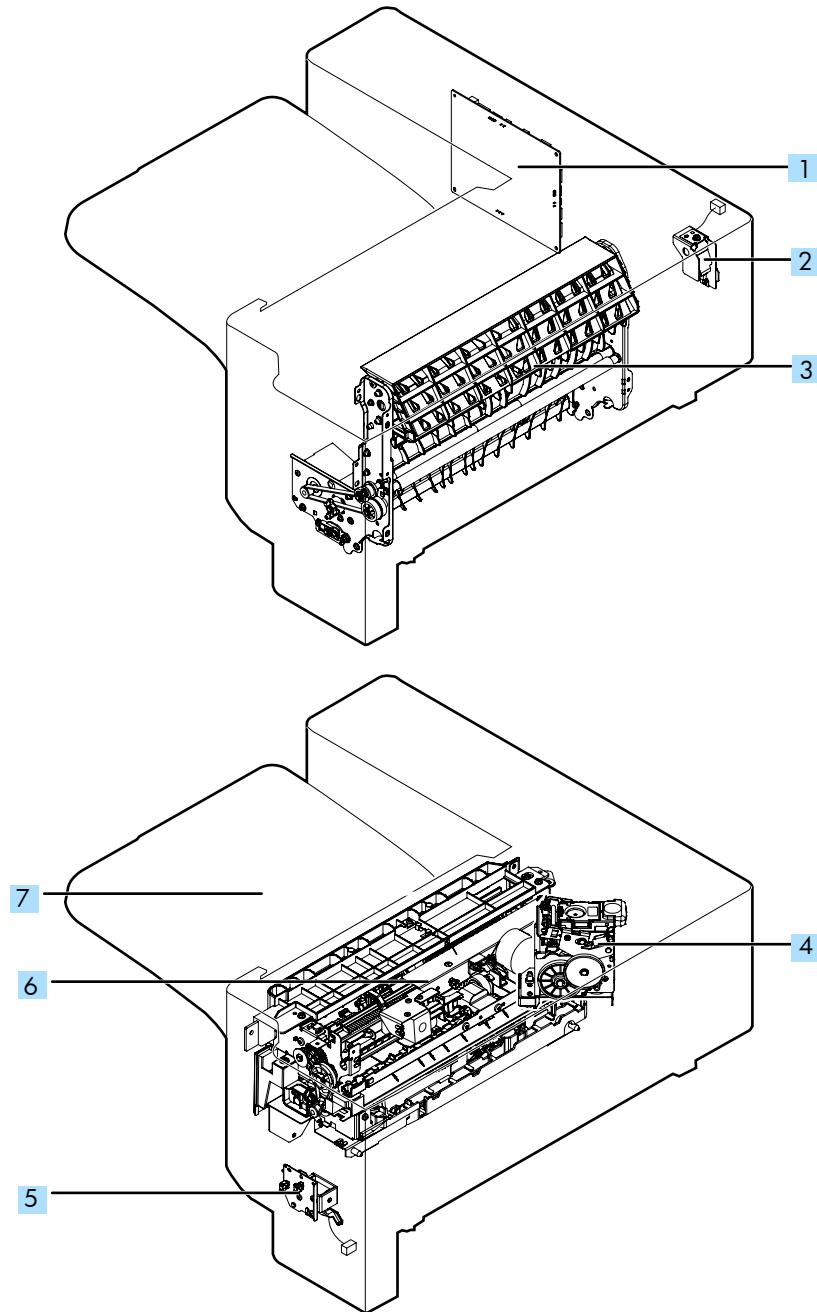


Table 2-16 Stapler/stacker components

Ref	Description	Part number	Qty
1	PCA, main controller	RM1-9459-000CN	1
2	Switch, door assembly	RM1-9445-000CN	1
3	Feed guide assembly	RM1-9441-000CN	1
4	Stapler assembly	RM1-9446-000CN	1
5	Solenoid, flapper assembly	RM1-9444-000CN	1
6	Operation assembly	RM1-9442-000CN	1
7	Tray assembly	RM1-9443-000CN	1
Not shown	Paper feed center guide assembly	RM1-9988-000CN	1