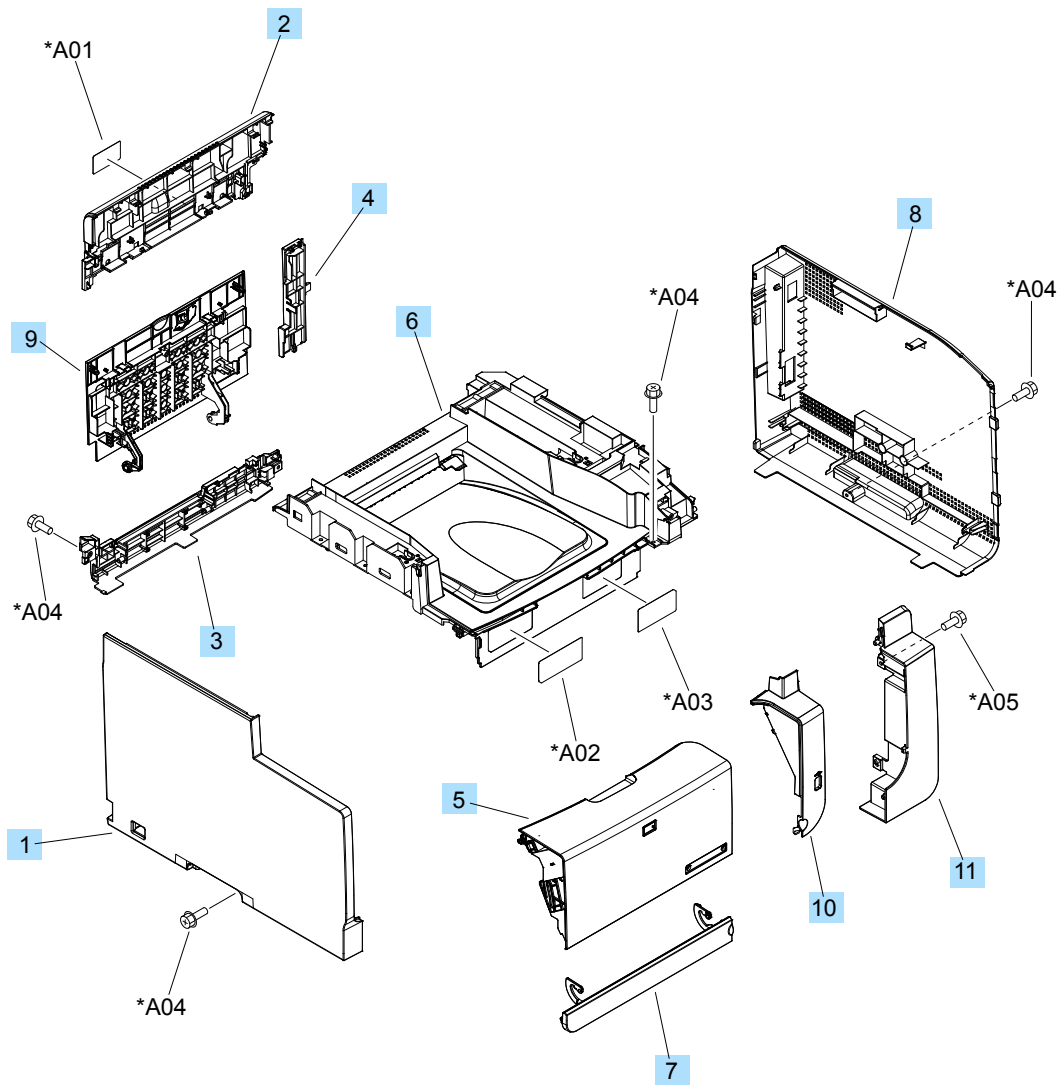


# Covers

Figure 3-2 Covers, panels, and doors



**Table 3-8 Covers, panels, and doors**

Ref	Description	Part number	Qty
1	Cover, left	RC1-0795-000CN	1
2	Cover, rear upper	RC3-0819-000CN	1
3	Cover, rear lower	RC3-0753-000CN	1
4	Cover, rear center	RC3-0767-000CN	1
5	Door, front	RC3-0796-000CN	1
6	Cover, top assembly	RM1-7715-000CN	1
7	Cover, priority slot (jam access)	RM3-0812-000CN	1
8	Cover, right	RC3-0794-000CN	1
9	Door, rear	RC3-0820-000CN	1
10	Cover, right-front 1	RC3-0797-000CN	1
11	Cover, right-front 2	RC3-0798-000CN	1