

Internal assemblies

Internal assemblies (1 of 4)

Figure 3-3 Internal assemblies (1 of 4)

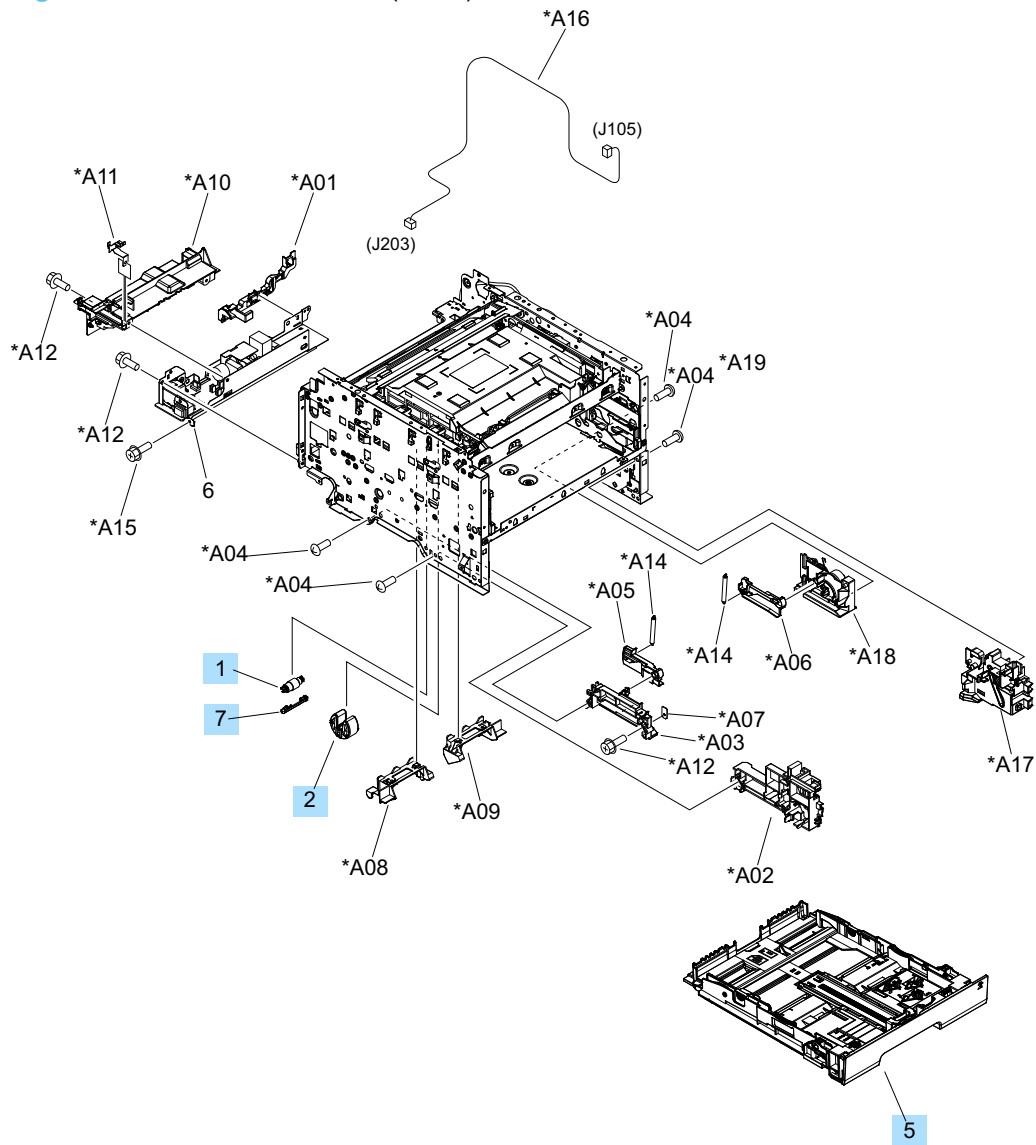


Table 3-9 Internal assemblies (1 of 4)

Ref	Description	Part number	Qty
1	Separation roller assembly	RM1-4425-000CN	1
2	Pickup roller assembly	RM1-4426-000CN	1
5	Cassette assembly	RM1-7714-000CN	1
7	Cover, holder	RC2-2014-000CN	1