

Internal assemblies (2 of 4)

Figure 3-4 Internal assemblies (2 of 4)

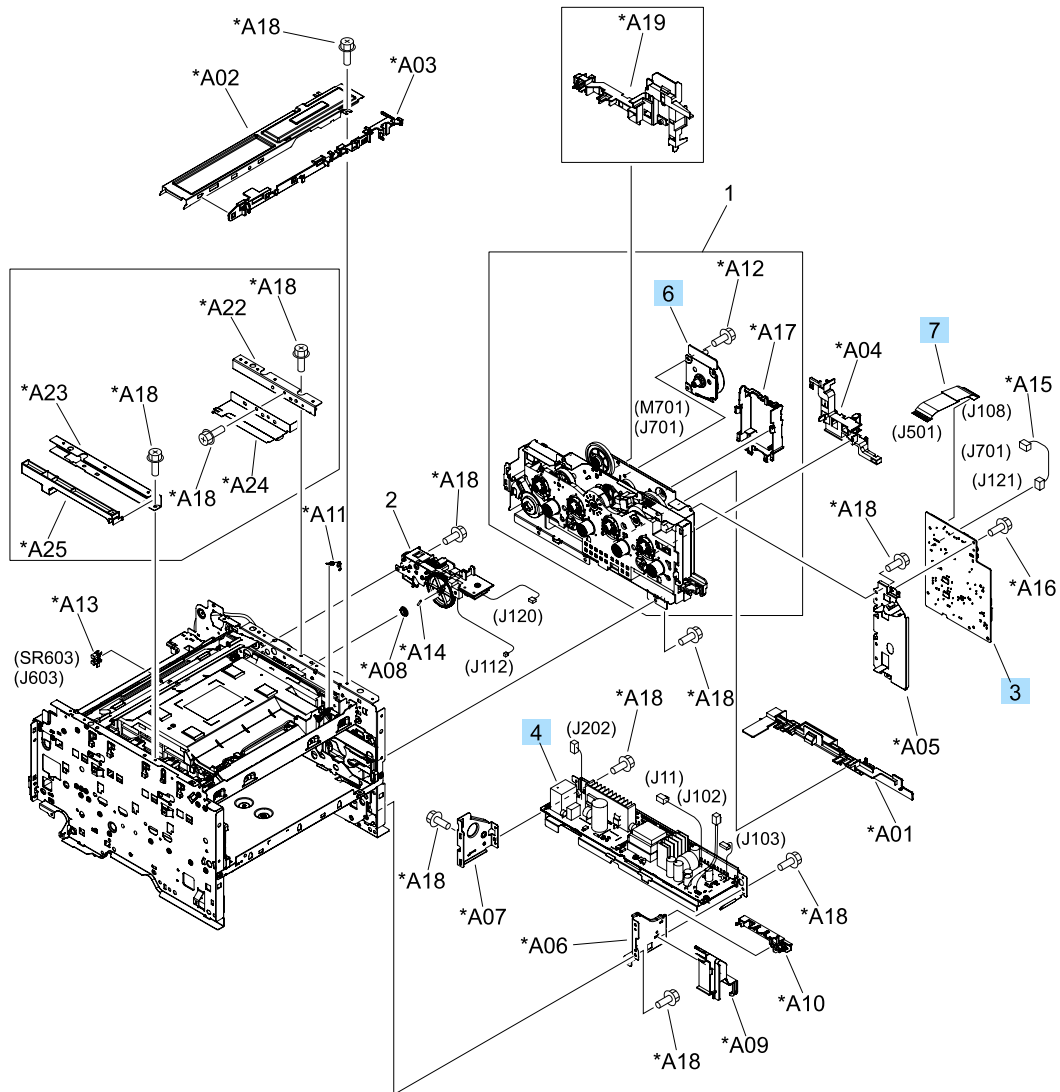


Table 3-10 Internal assemblies (2 of 4)

Ref	Description	Part number	Qty
3	DC controller assembly	RM1-7813-000CN	1
4	Low-voltage power supply (110 to 127 v)	RM1-7830-000CN	1
4	Low-voltage power supply (220 to 240 v)	RM1-7831-000CN	1
6	Motor, DC main	RL1-1834-000CN	1
7	Cable, flat (FFC)	RK2-1955-000CN	1