

Internal assemblies (3 of 4)

Figure 3-5 Internal assemblies (3 of 4)

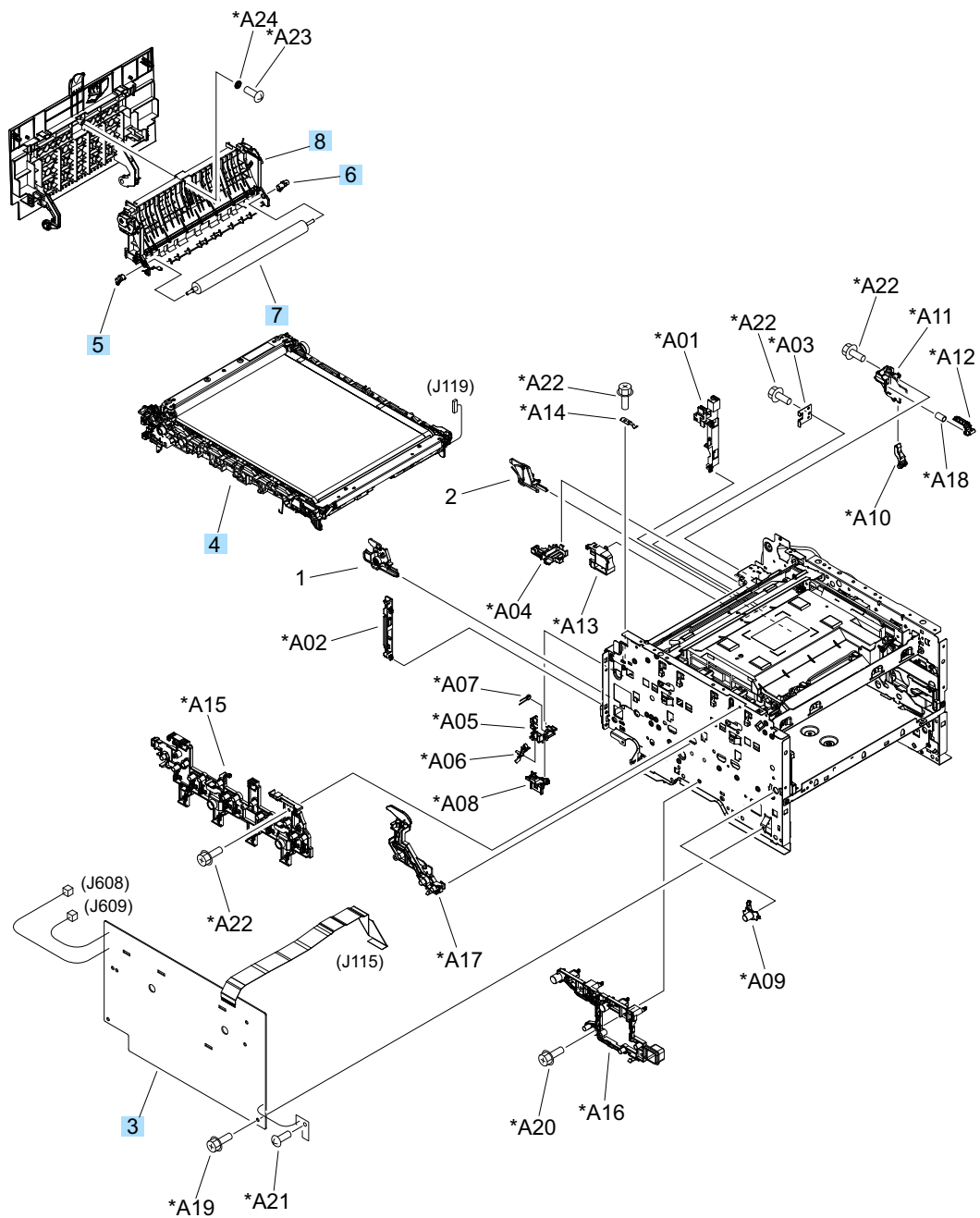


Table 3-11 Internal assemblies (3 of 4)

Ref	Description	Part number	Qty
3	High-voltage power supply	RM1-7090-000CN	1
4	Intermediate transfer belt (ITB) assembly	RM1-7866-000CN	1
5	Bushing (transfer roller)	RC2-2111-000CN	1
6	Bushing (transfer roller)	RC2-2112-000CN	1
7	Roller, transfer	RM1-4445-000CN	1
8	Paper feed guide assembly	RM1-4448-000CN	1