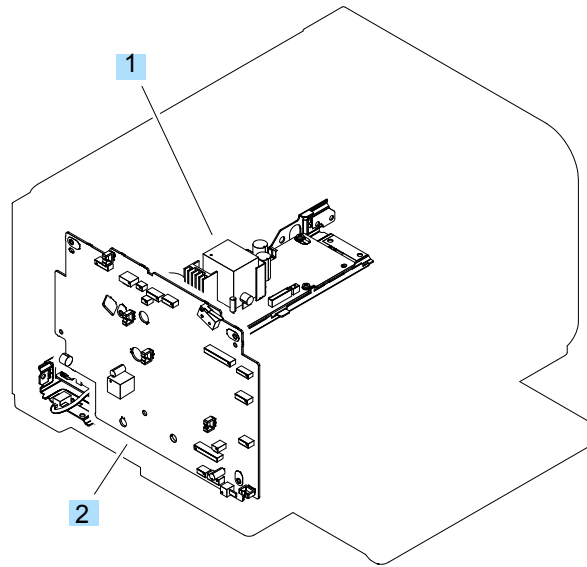
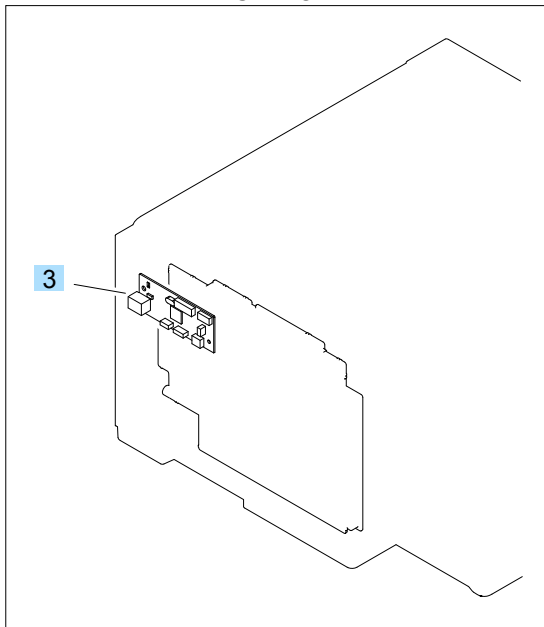


PCAs

Figure 3-4 PCAs



BASE MODEL



PLUS MODEL

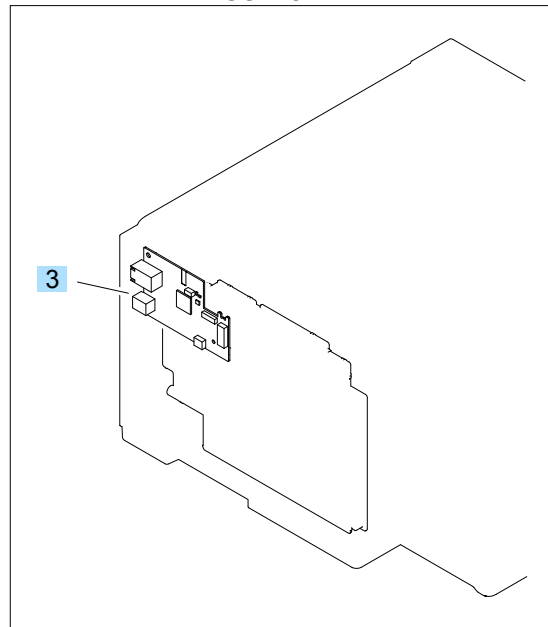


Table 3-8 PCAs

Ref	Description	Part number	Qty
1	Power supply, low-voltage (110-127 V)	RM1-7751-000CN	1
1	Power supply, low-voltage (220-240 V)	RM1-7752-000CN	1
2	PCA assembly, engine controller	RM1-7777-000CN	1
3	Formatter PCA (base model)	CE828-60001	1
3	Formatter PCA (plus model)	CE964-60001	1