

Covers, panels, and doors

Figure 3-2 Covers, panels, and doors

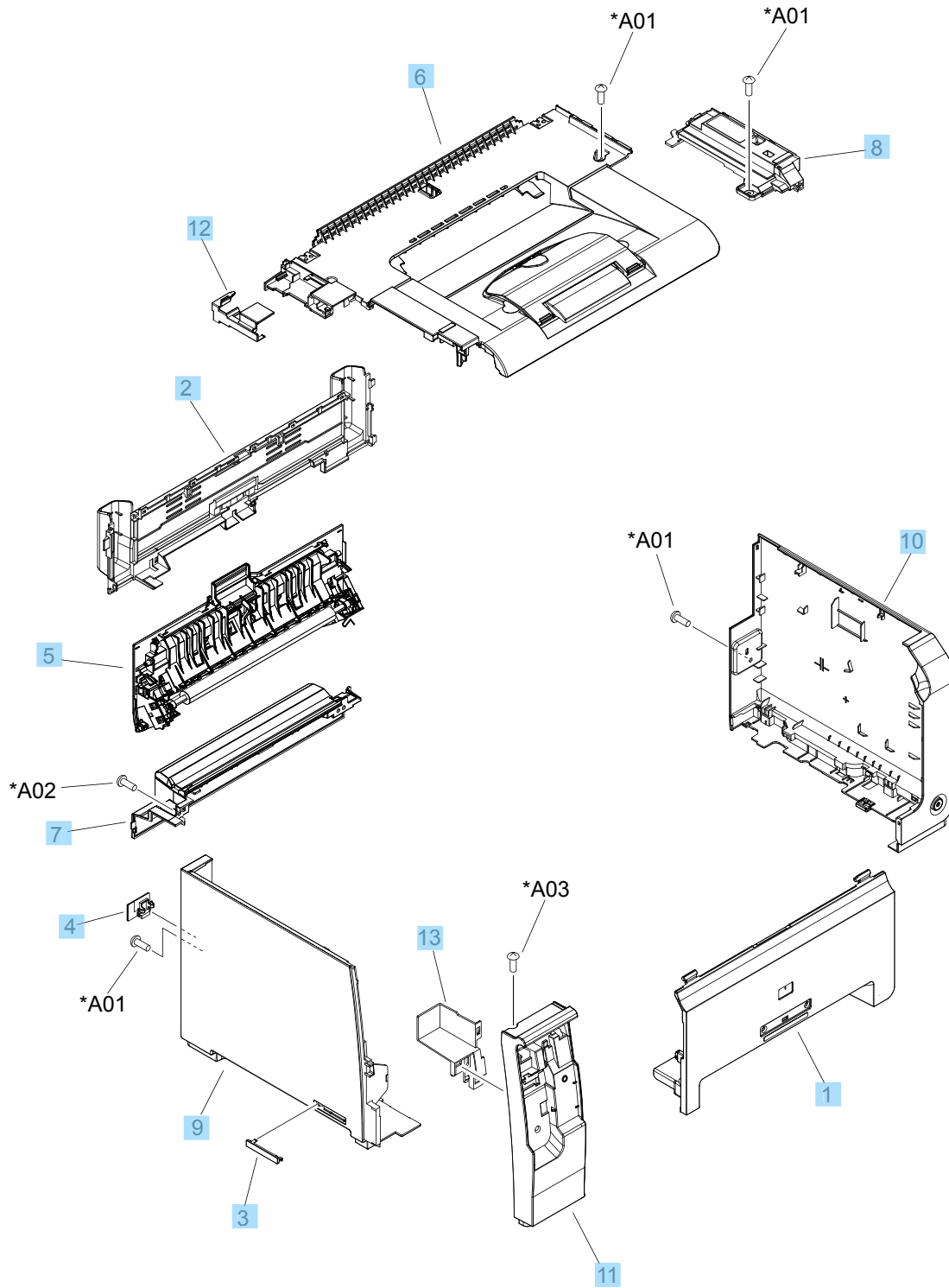


Table 3-6 Covers, panels, and doors

Ref	Description	Part number	Qty
1	Door, front	RL1-3287-000	1
2	Cover, fixing	RC3-1294-000	1
3	Cover, blanking	RC3-1287-000	1
4	Cover, network plug	RC3-1808-000	1
5	Rear cover/2nd transfer assembly	RM1-7216-000	1
6	Upper cover assembly	RM1-7278-000	1
7	Power supply cover assembly	RM1-7235-000	1
8	Cover, right upper	RL1-3290-000	1
9	Cover, left	RL1-2729-000	1
10	Right cover assembly	RM1-7280-000	1
11	Cover, left front	RC3-1288-000	1
12	Guide, flexible flat cable	RC3-1799-000	1
13	Cover, CP hole	RC3-1289-000	1