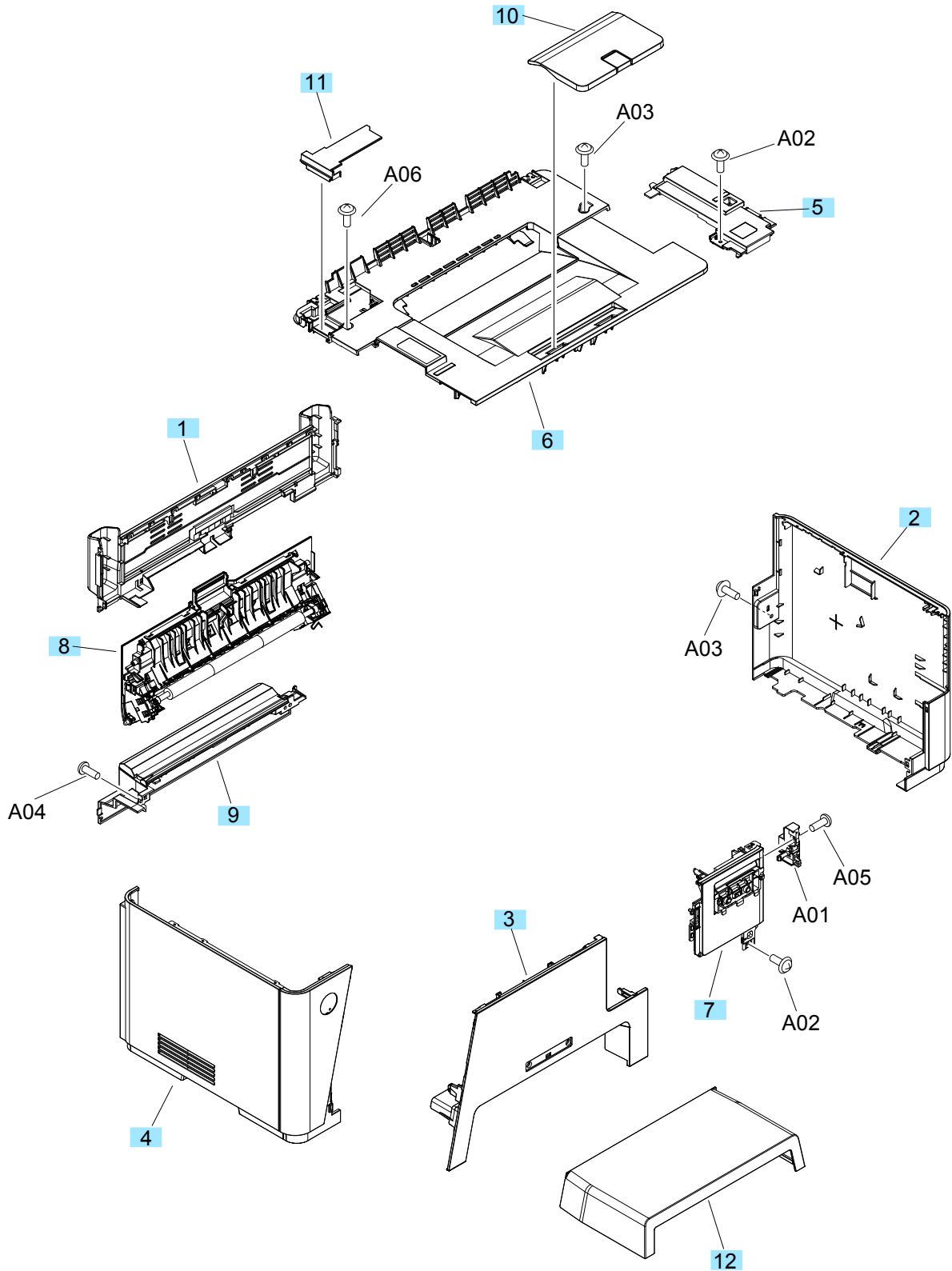


# Covers, panels, and doors

Figure 2-2 Covers, panels, and doors



**Table 2-8 Covers, panels, and doors**

<b>Ref</b>	<b>Description</b>	<b>Part number</b>	<b>Qty</b>
1	Cover, fuser	RC3-5345-000CN	1
2	Cover, right	RC3-5348-000CN	1
3	Door, cartridge	RC3-5357-000CN	1
4	Left cover assembly	RL1-3930-000CN	1
5	Right upper cover assembly	RL1-3936-000CN	1
6	Upper cover assembly	RM2-0138-000CN	1
7	Operation panel assembly	RM2-0142-000CN	1
8	Rear cover/secondary transfer assembly	RM2-0162-000CN	1
9	Power supply cover assembly	RM2-0164-000CN	1
10	Extension tray assembly	RM2-0168-000CN	1
11	Cover, flat cable	RC3-5353-000CN	1
12	Cover, dust	RC3-5146-000CN	1
	Control panel assembly—2 line LCD (M176 model) (not shown)	CF547-60109	1
	Control panel assembly—touchscreen (M177 model) (not shown)	CF547-60110	1
	Fax rubber cap (M177 model) (not shown)	CZ185-40001	1