

Scan drive system assembly (M176 and M177 models)

Figure 2-6 Scan drive system (M176 and M177 models)

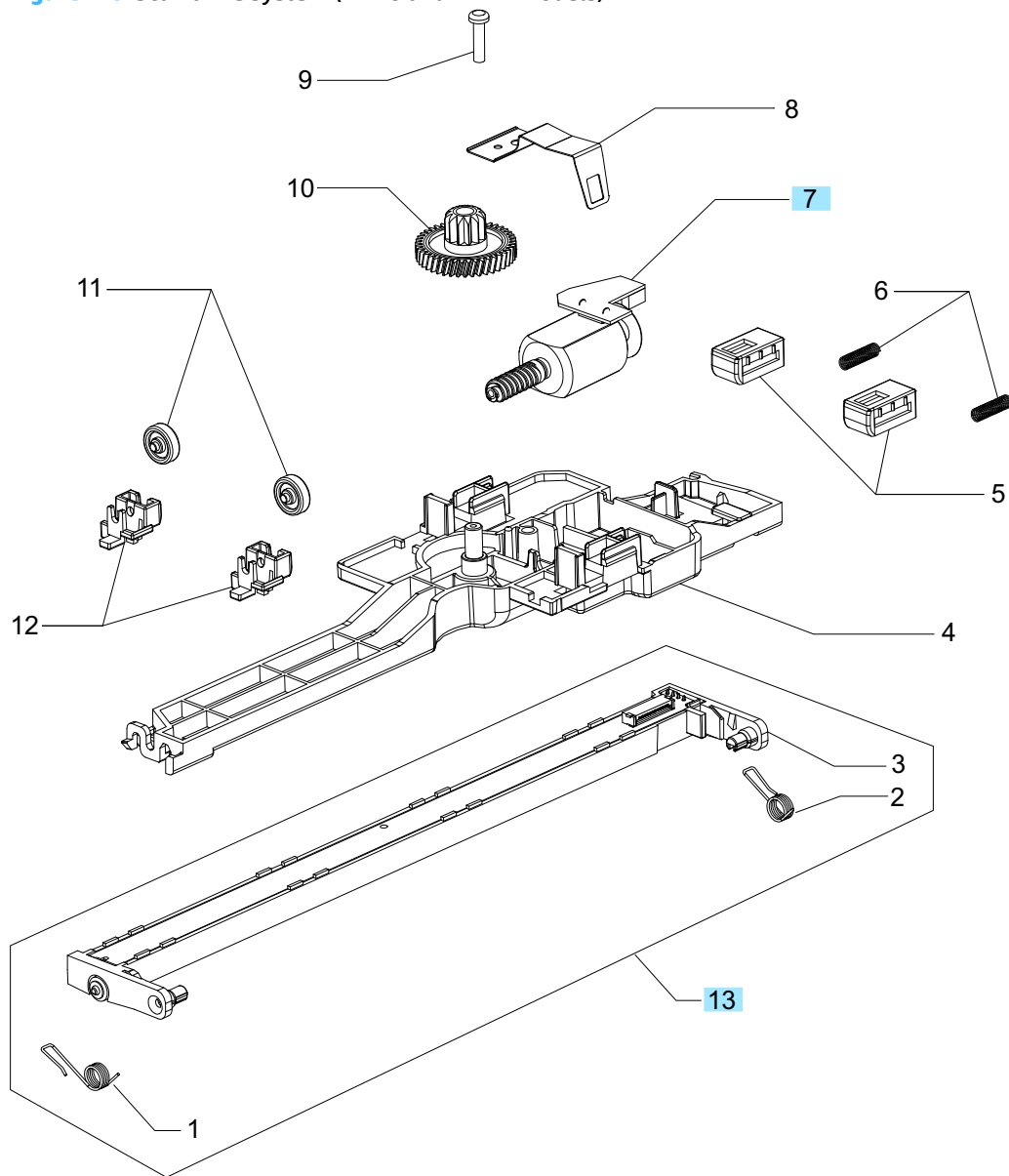



Table 2-12 Scan drive system (M176 and M177 models)

Ref	Description	Part number	Qty
7	Motor/encoder assembly	CN503-60006	1
13	Scanner with spring assembly	CZ181-60113	1

 **CAUTION:** Replace the internal scanner assemblies only in a dust-free environment.