

Scanner assemblies (M176 model)

Figure 2-5 Scanner assemblies (M176 model)

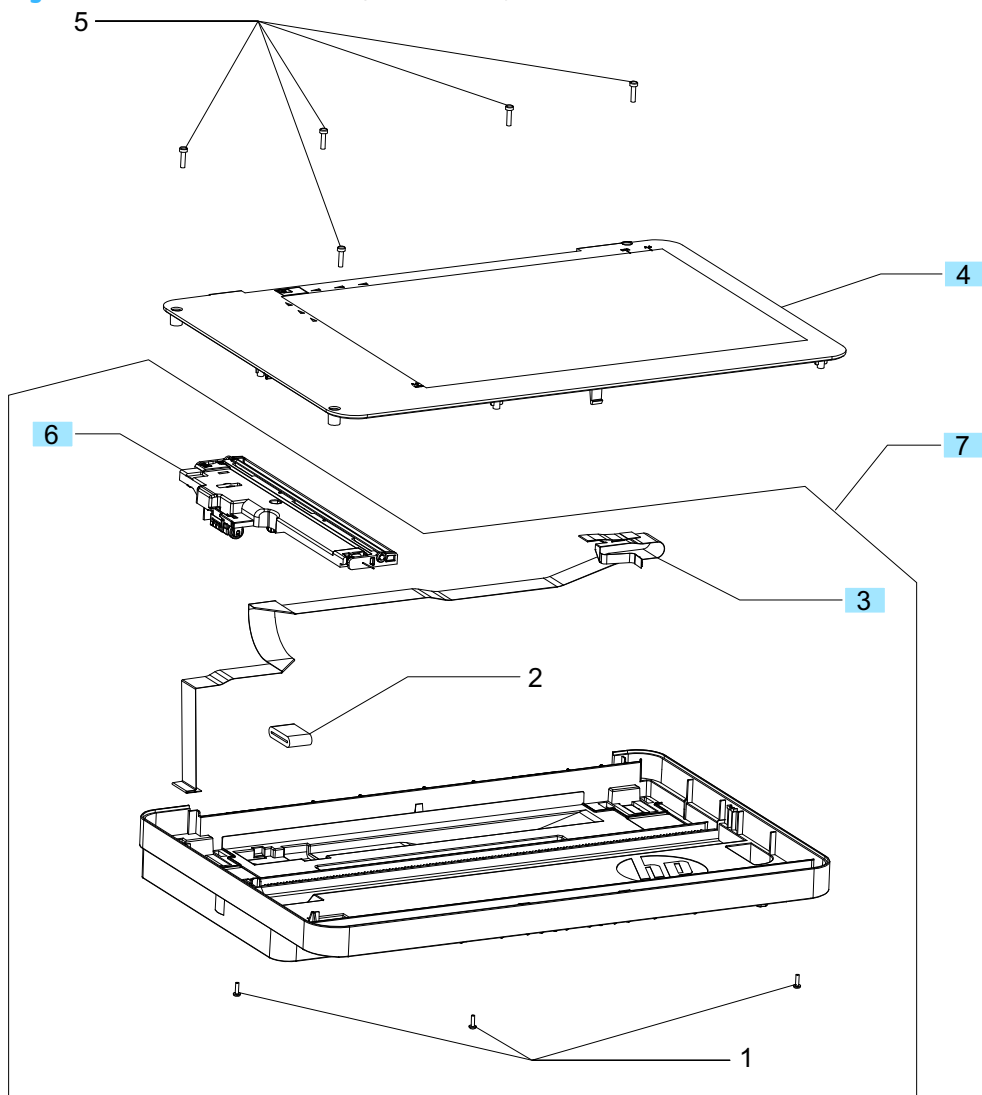



Table 2-11 Scanner assemblies (M176 model)

Ref	Description	Part number	Qty
3	SSA FFC Cable, 20 Pin	CZ165-60106	1
4	Scan bezel assembly	CF547-60112	1
6	Scan drive system assembly	CZ181-60104	1
7	Scanner base assembly	CF547-60102	1

 **CAUTION:** Replace the internal scanner assemblies only in a dust-free environment.