

Figure 2-4 Covers, panels, and doors—network wireless model

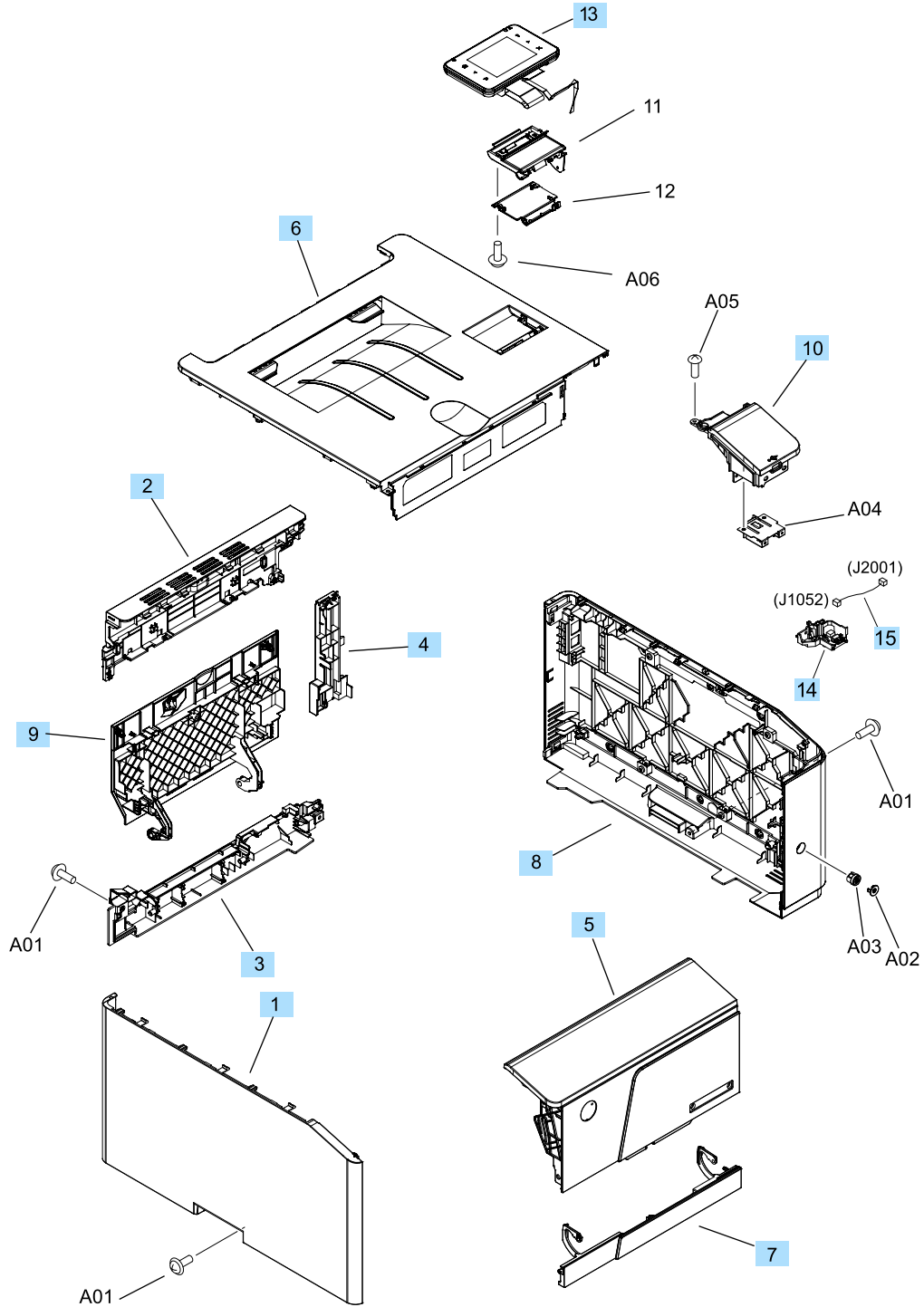


Table 2-9 Covers, panels, and doors—network wireless model

Ref	Description	Part number	Qty
1	Cover, left	RC3-2652-000	1
2	Cover, rear upper	RC3-2656-000	1
3	Cover, rear lower	RC3-2658-000	1
4	Cover, rear right	RC3-2657-000	1
5	Door, front	RM1-8768-000	1
6	Cover, upper	RM1-9327-000	1
7	Cover, front	RM1-8769-000	1
8	Cover, right	RM1-8771-000	1
9	Door, rear	RC3-2659-000	1
10	Cover, USB	RC3-2893-000	1
13	Control panel, wireless network model	CF147-60101	1
14	Walk-up USB PCA	CF368A	1
15	Walk-up USB cable	CF146-60103	1