

Covers, panels, and doors

Figure 2-3 Covers, panels, and doors—network model

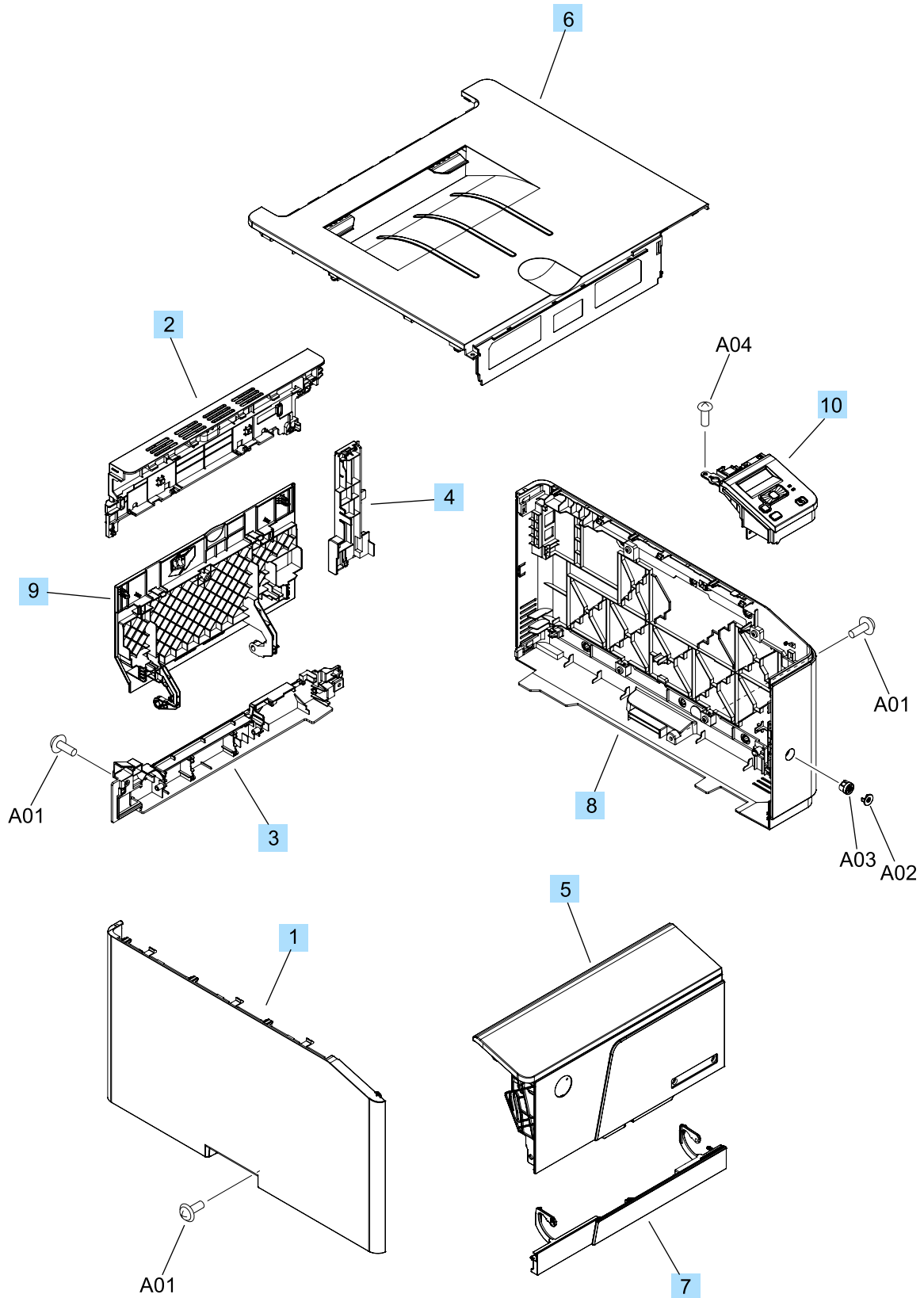


Table 2-8 Covers, panels, and doors—network model

Ref	Description	Part number	Qty
1	Cover, left	RC3-2652-000	1
2	Cover, rear, upper	RC3-2656-000	1
3	Cover, rear, lower	RC3-2658-000	1
4	Cover, rear, right	RC3-2657-000	1
5	Door, front	RM1-8768-000	1
6	Upper cover assembly	RM1-8770-000	1
7	Cover, front	RM1-8769-000	1
8	Right cover assembly	RM1-8771-000	1
9	Door, rear	RC3-2659-000	1
10	Control-panel assembly (network model)	RM1-8788-000	1