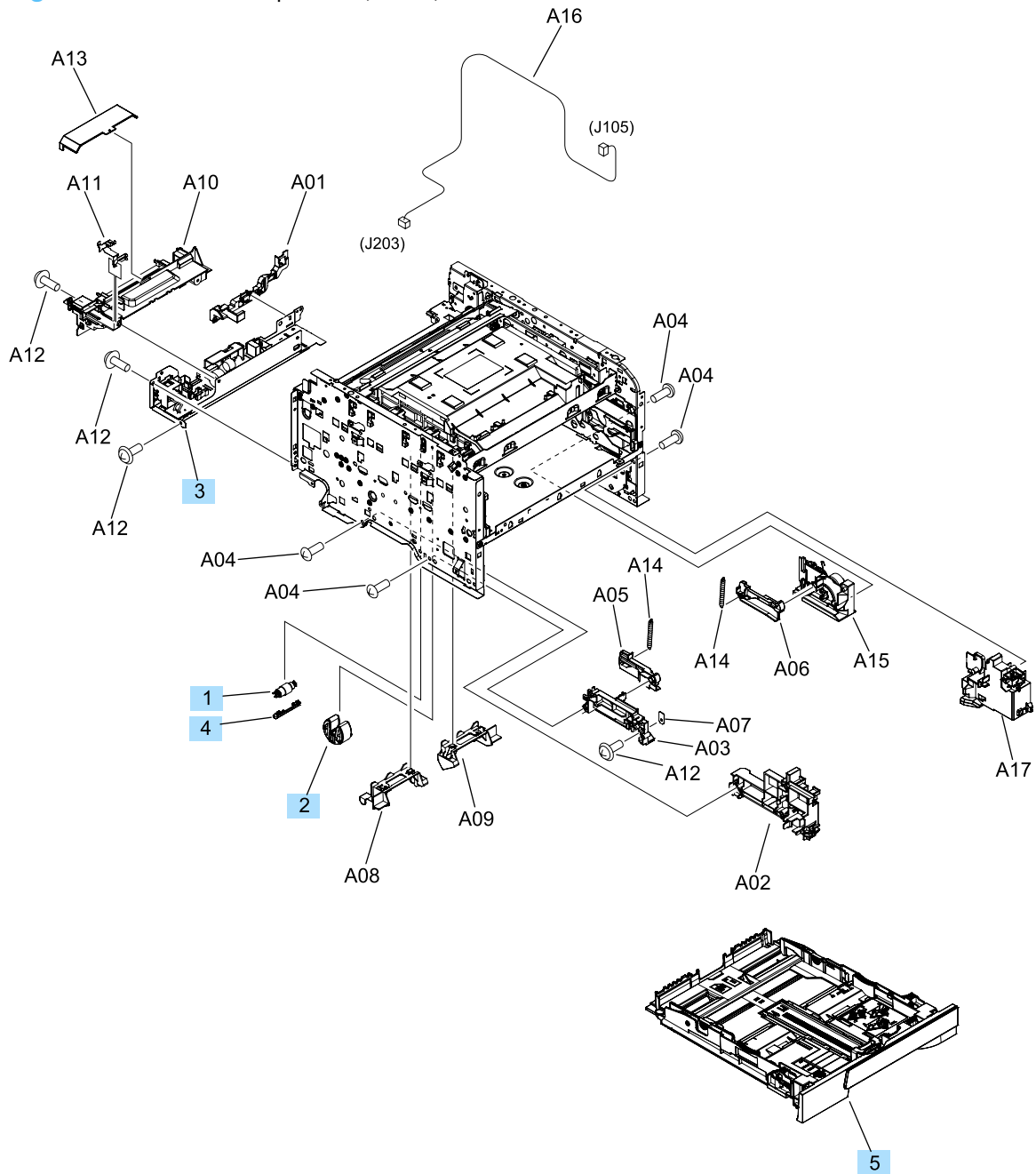


# Internal assemblies

Figure 2-5 Internal components (1 of 4)



**Table 2-10 Internal components (1 of 4)**

<b>Ref</b>	<b>Description</b>	<b>Part number</b>	<b>Qty</b>
1	Roller, separation Assembly	RM1-8765-000	1
2	Roller, pickup assembly	RM1-8047-000	1
3	Fuser power supply assembly (220V-240V)	RM1-8710-000	1
3	Fuser power supply assembly (110V-127V)	RM1-8709-000	1
4	Cover, holder	RC2-2014-000	1
5	Cassette assembly	RM1-8772-000	1