

Figure 2-6 Internal components (2 of 4)

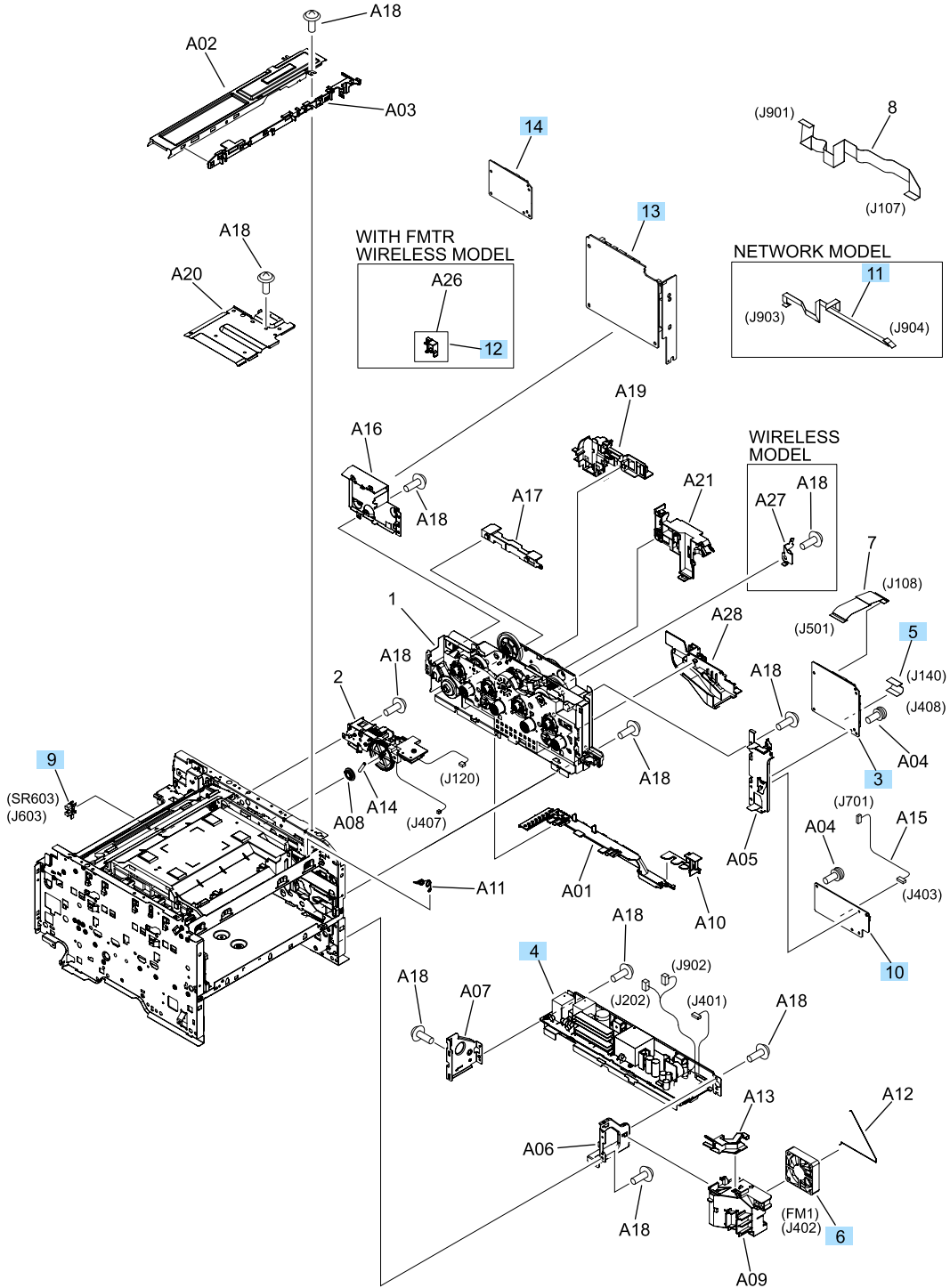


Table 2-11 Internal components (2 of 4)

Ref	Description	Part number	Qty
1	Main drive assembly	RM1-9328-000	1
2	Sub drive assembly	RM1-8785-000	1
3	DC controller PCA	RM1-8704-000	1
4	Low voltage power supply assembly, network model (110V-127V)	RM1-9011-000	1
4	Low voltage power supply assembly, network model (220V-240V)	RM1-9013-000	1
4	Low voltage power supply assembly, network wireless model (110V-127V)	RM1-9012-000	1
4	Low voltage power supply assembly, network wireless model (220V-240V)	RM1-9014-000	1
5	Cable, flexible flat (base, network model)	RK2-4540-000	1
6	Fan	RK2-4255-000	1
10	PCA, driver assembly	RM1-8706-000	1
11	Cable, flexible flat (network model)	RK2-4546-000	1
12	Bracket, wireless	RC3-2746-000	
13	Formatter PCA (network model)	CF152-60001	1
13	Formatter, (network wireless model)	CF153-60001	1
14	Wireless PCA	1150-7940	1