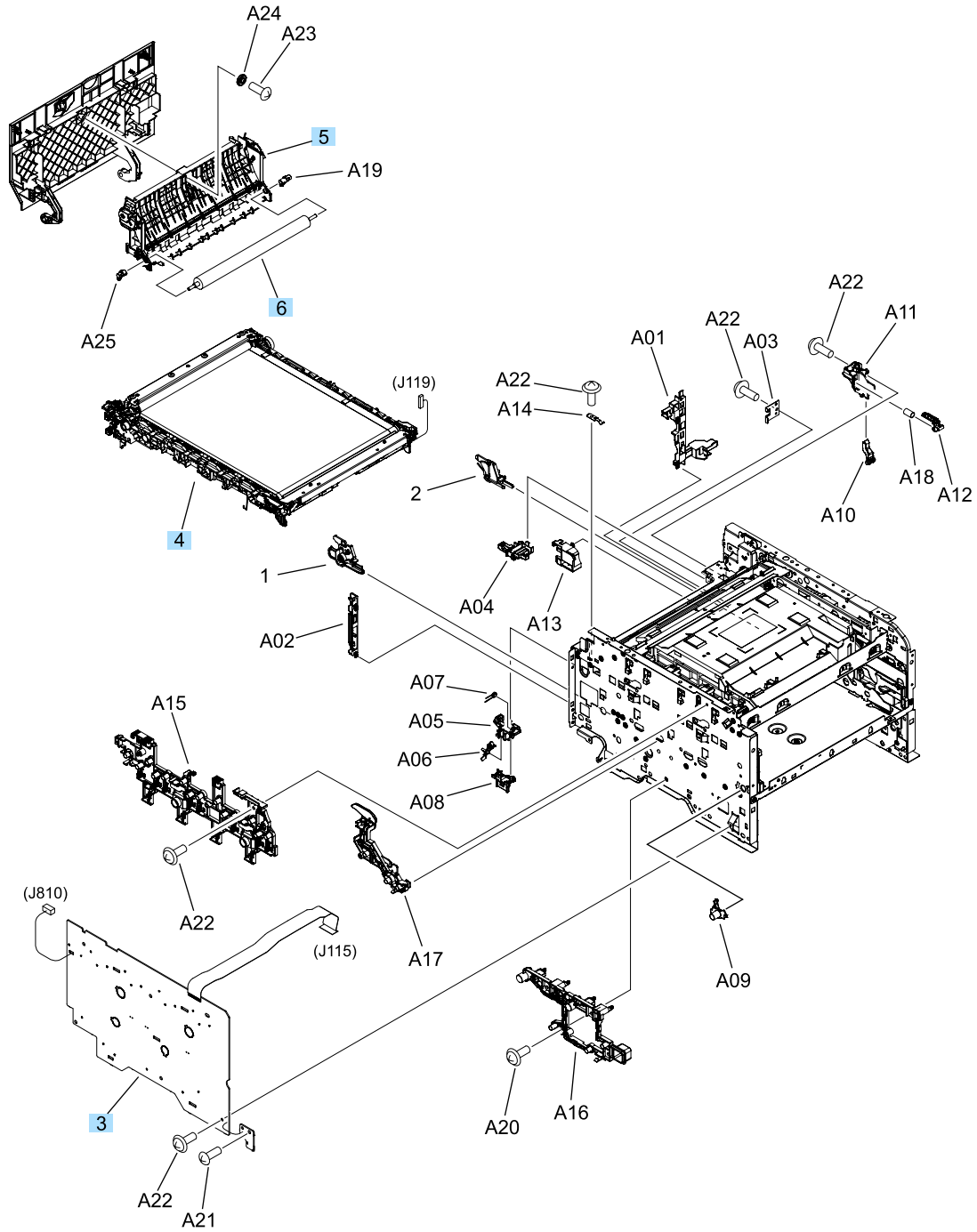


Figure 2-7 Internal components (3 of 4)



**Table 2-12 Internal components (3 of 4)**

<b>Ref</b>	<b>Description</b>	<b>Part number</b>	<b>Qty</b>
1	ITB lock lever assembly, left	RM1-4482-000	1
2	ITB lock lever assembly, right	RM1-4483-000	1
3	High voltage PCA	RM1-8705-000	1
4	Intermediate transfer belt assembly (ITB)	RM1-8777-000	1
5	Paper feed guide assembly	RM1-8779-000	1
6	Roller, transfer	RM1-4445-000	1