

Figure 2-8 Internal components (4 of 4)

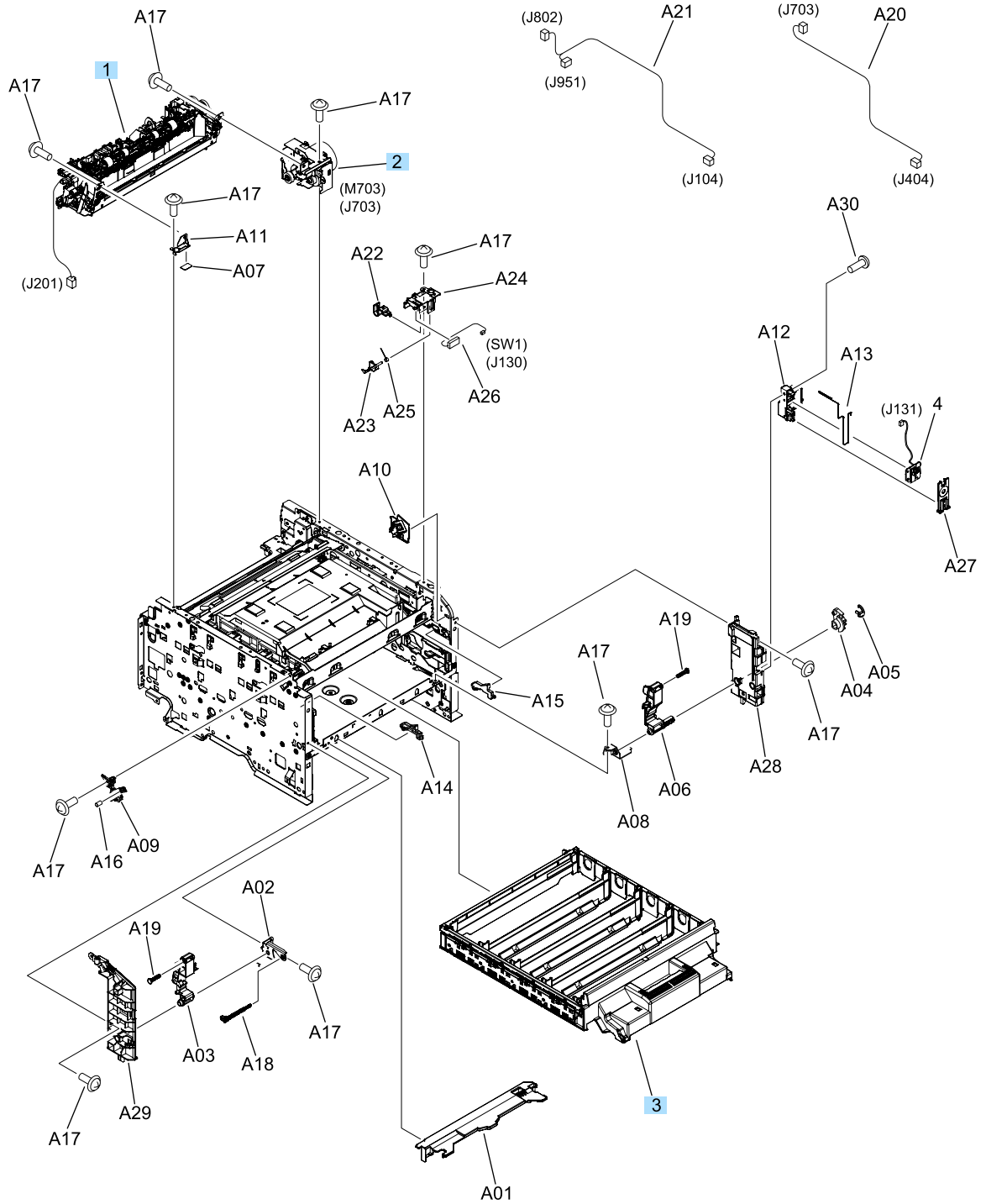


Table 2-13 Internal components (4 of 4)

Ref	Description	Part number	Qty
1	Fuser assembly (110V-127V)	RM1-8780-000	1
1	Fuser assembly (220V-240V)	RM1-8781-000	1
2	Fuser drive motor	RM1-8784-000	1
3	Cassette assembly	RM1-8774-000	1