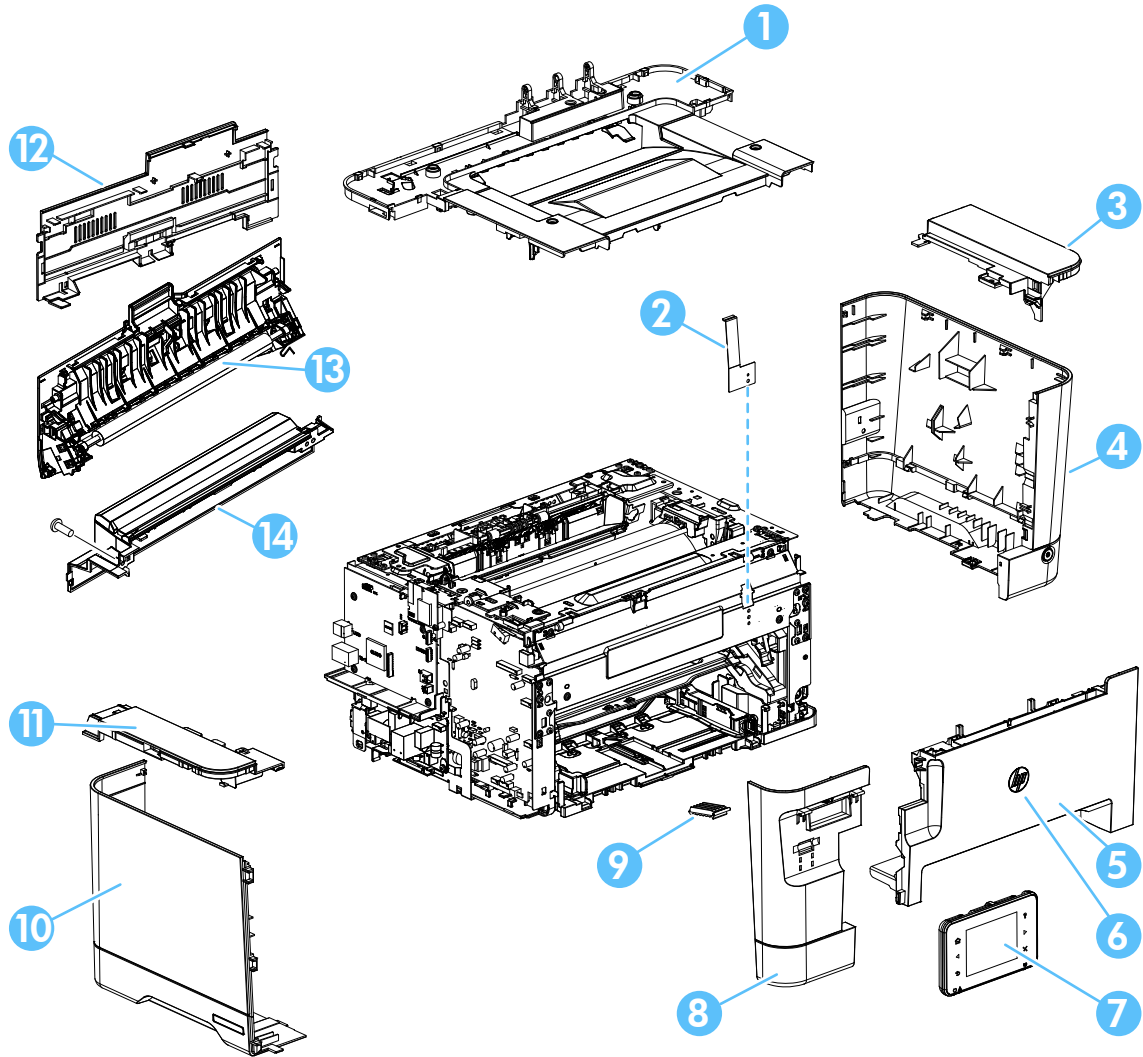


# Covers and external assemblies (2 of 3)

Figure 3-2 Covers and external assemblies (2 of 3)



**Table 3-6 Covers and external assemblies (2 of 3)**

<b>Ref</b>	<b>Description</b>	<b>Part number</b>	<b>Qty</b>
1	Cover - Top, assembly	CF039-60112	1
2	Spring - C-door	CF039-00003	1
3	Cover - top upper right front	CF039-40011	1
4	Cover - right assembly	CF039-60108	1
5	Door – Front, (C-Door)	CF039-40002	1
6	Nameplate Round Gem 27	7121-8496	1
7	Control panel assembly	CF039-60101	1
8	Cover - Left front assembly	CF039-60109	1
9	Kickstand - Control Panel	CF039-40024	1
10	Cover - Left Rear Assembly	CF039-60111	1
11	Cover - Top Upper Left Front	CF039-40012	1
12	Cover - Fuser	CF039-40020	1
13	Rear cover/2nd transfer assembly	RM1-7216-000	1
14	Power supply cover assembly	RM1-7235-000	1