

Covers and external assemblies (3 of 3)

Figure 3-3 Covers and external assemblies (3 of 3)

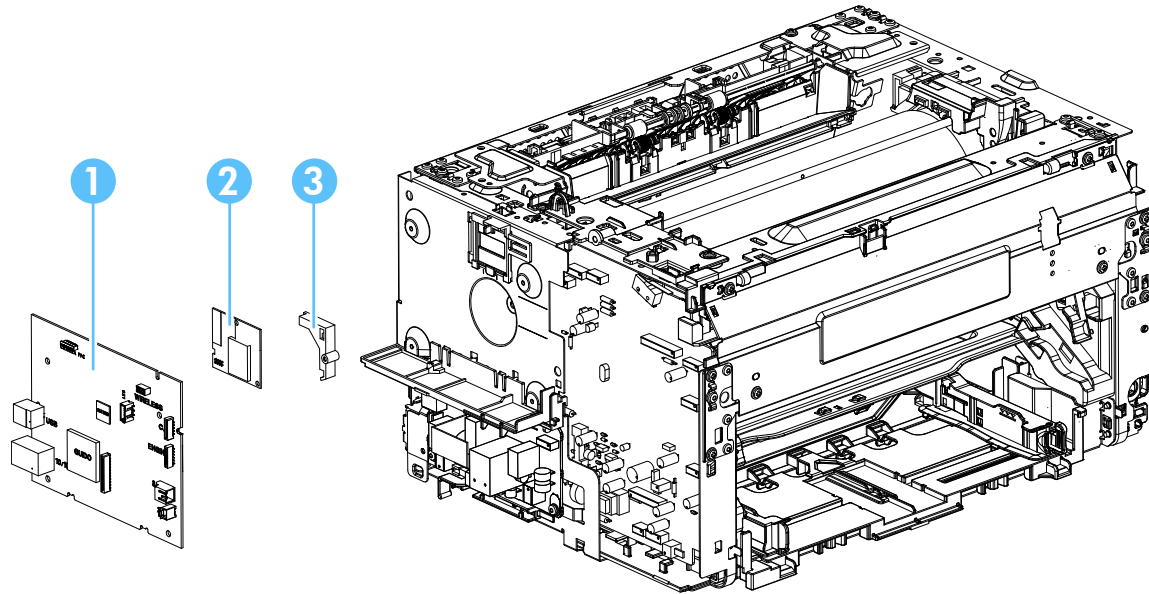


Table 3-7 Covers and external assemblies (3 of 3)

Ref	Description	Part number	Qty
1	Formatter PCA	CD669-60001	1
2	Wireless PCA	1150-7940	1
3	Mounting bracket - Wireless PCA	CE866-40003	1