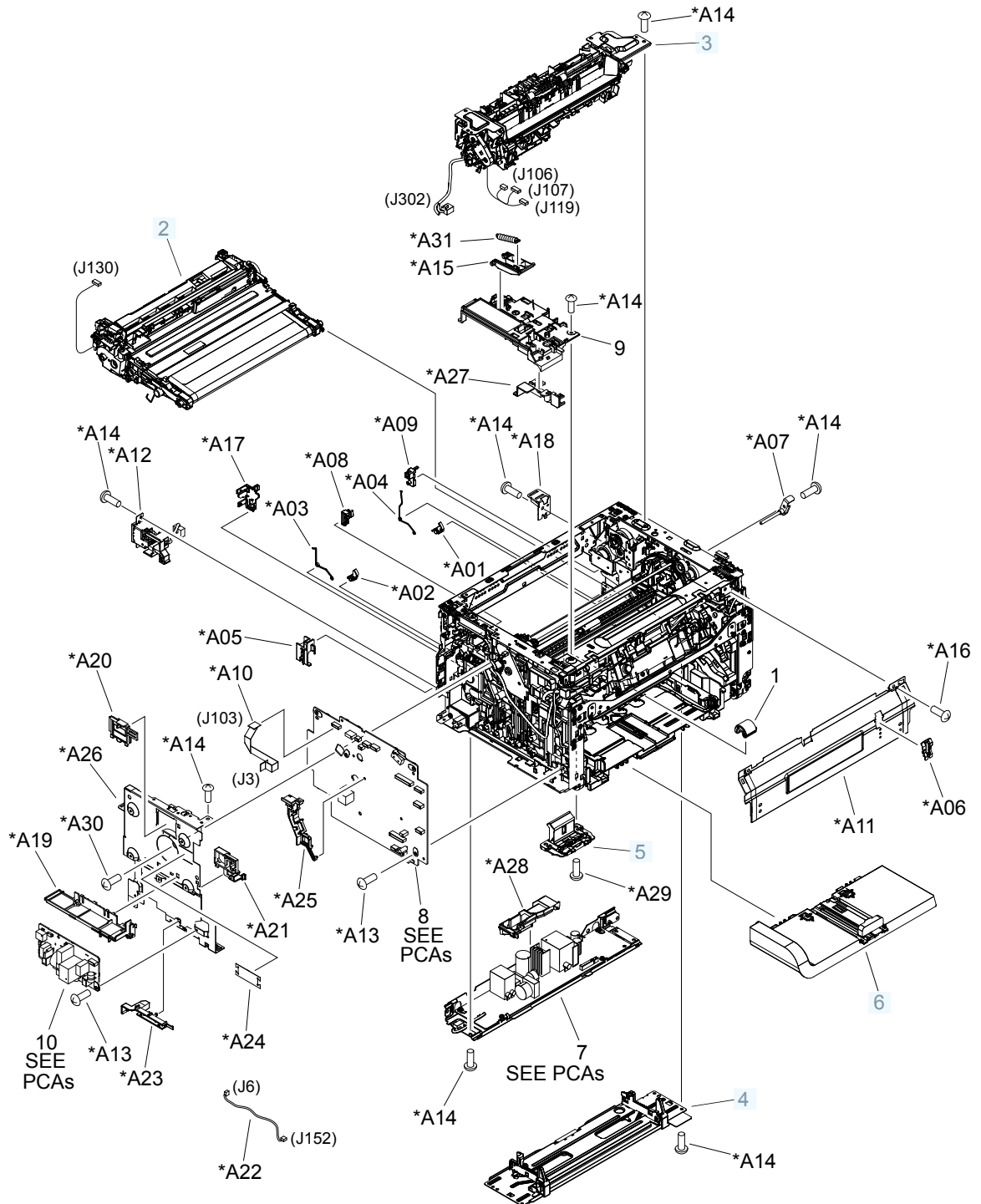


# Internal assemblies

Figure 3-4 Internal assembly



**Table 3-8 Internal assembly**

<b>Ref</b>	<b>Description</b>	<b>Part number</b>	<b>Qty</b>
1	Roller, paper pick-up	RL1-2671-000	1
2	Intermediate transfer belt assembly (ITB)	RM1-7274-000	1
3	Paper delivery assembly, fuser (110-127 V)	RM1-7211-000	1
3	Paper delivery assembly, fuser (220–240 V)	RM1-7269-000	1
4	Plate assembly, base	RM1-7213-000	1
5	Pad assembly, separation	RM1-7228-000	1
6	Tray, main assembly	RM1-7276-000	1
7	Cover assembly, inner	RM1-7279-000	1