

PCAs

Figure 3-5 PCAs

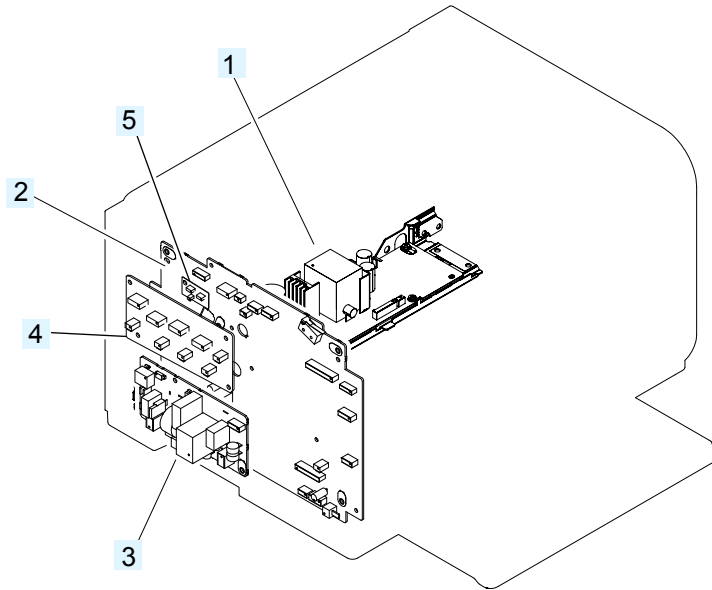


Table 3-9 PCAs

Ref	Description	Part number	Qty
1	Power supply, low-voltage (110-127 V)	RM1-8203-000	1
1	Power supply, low-voltage (220-240 V)	RM1-8204-000	1
2	Engine controller PCA	RM1-8205-000	1
3	Fuser power supply PCA (110-127 V)	RM1-8201-000	1
3	Fuser power supply PCA (220-240 V)	RM1-8202-000	1
4	Formatter PCA	CD669-60001	1
5	Wireless N module	1150-7940	1