

Covers

Figure 3-1 Covers, panels, and doors

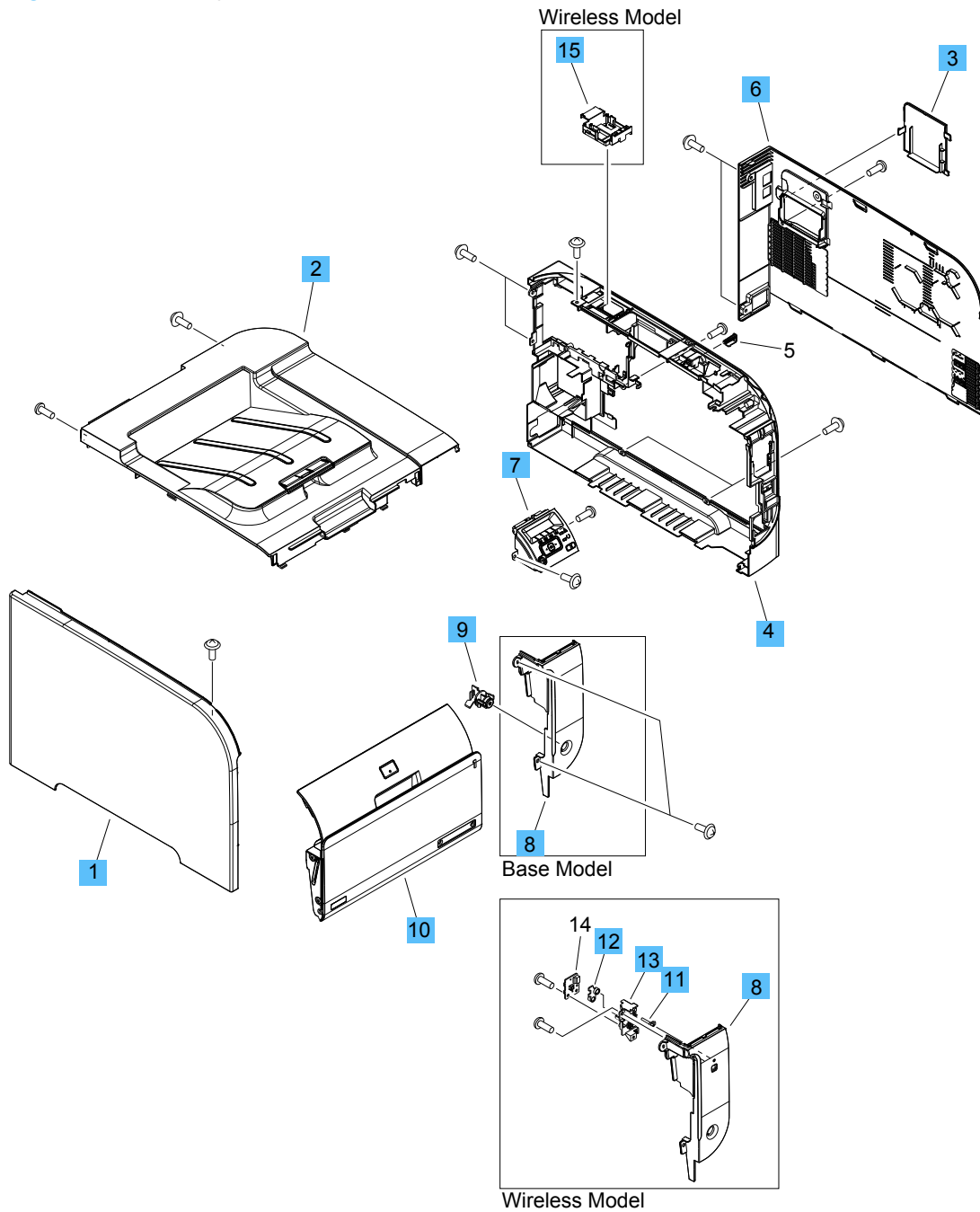


Table 3-7 Covers^{1,2}

Ref	Description	Part number	Qty
1	Cover, left	RC3-1667-000	1
2	Cover, top assembly	RM1-8044-000	1
3	Cover, DIMM	RC3-1671-000	1
4	Panel, right	RC3-1689-000	1
6	Cover, right	RC3-1694-000	1
7	Control-panel assembly	RM1-8040-000	1
8	Cover, right-front (wireless models)	RM2-0191-000	1
9	Cover, right-front (base model)	RC3-1692-000	1
10	Door, front assembly	RM1-8604-000	1
11	Pipe, light (wireless models)	RC3-0766-000	1
12	Guide, button (wireless models)	RC3-1025-000	1
13	Base, button (wireless models)	RC3-1684-000	1
15	Holder, wireless module (wireless models)	RC3-1683-000	1

¹ For simplex products, the rear cover and the rear door are shown in [Figure 3-7 Internal assemblies \(simplex models\) on page 194](#).

² For duplex products, the upper-rear cover, lower-rear cover, and the rear door are shown in [Figure 3-8 Internal assemblies \(duplex models\) on page 196](#).