

Internal components (3 of 5)

Figure 3-4 Internal assemblies (3 of 7)

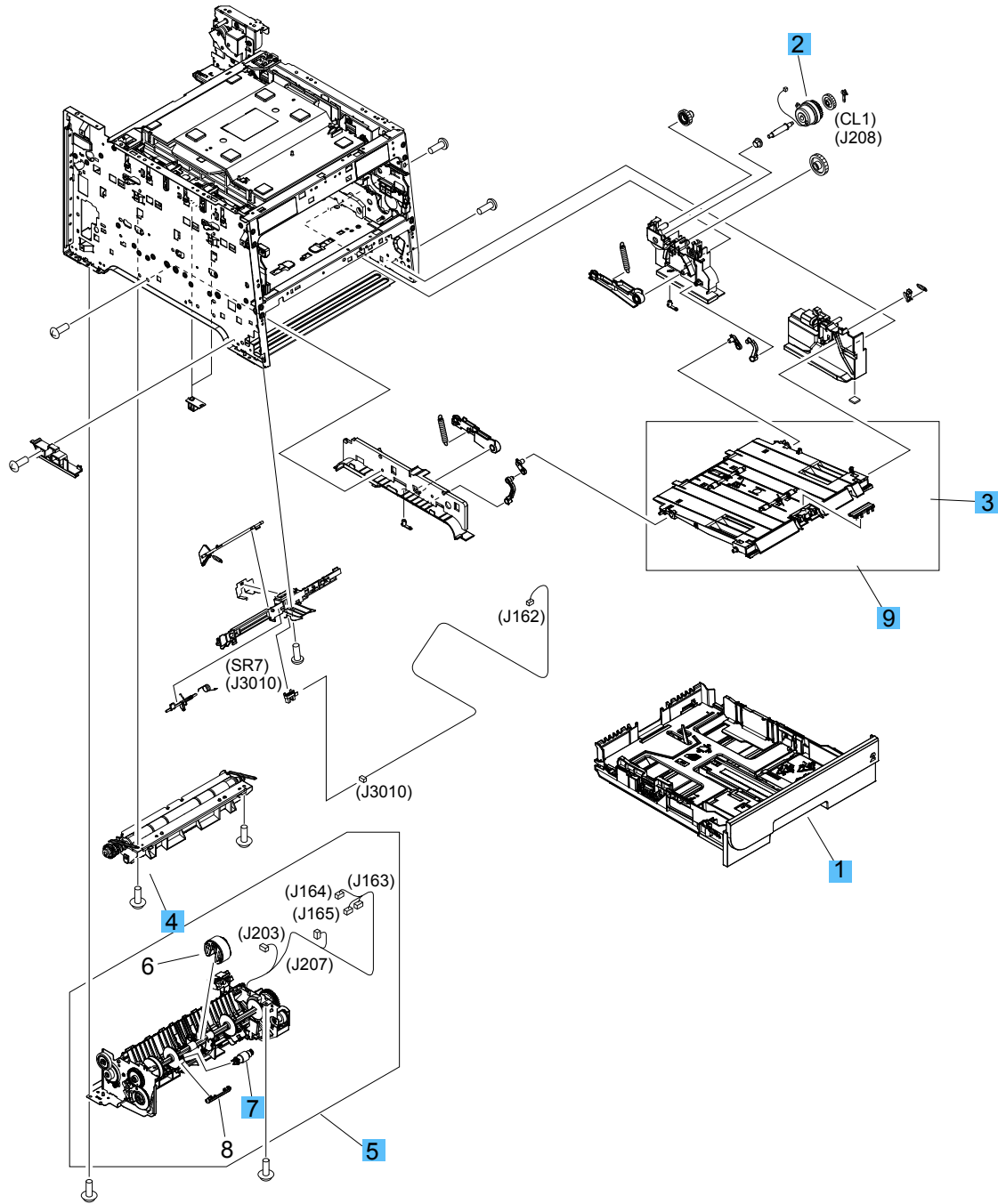


Table 3-10 Internal assemblies (3 of 7)

Ref	Description	Part number	Qty
1	Cassette, Tray 2	RM1-8056-000	1
2	Clutch assembly Tray 1 (MP tray)	RM1-8318-000	1
3	Pad, separation Tray 1	RL1-1785-000	1
4	Registration assembly	RM1-4841-000	1
5	Pickup roller assembly	RM1-8047-000	1
7	Separation roller assembly	RM1-4840-000	1
9	Tray 1 assembly (MP tray)	RM1-8610-000	1