

Internal assemblies (5 of 5)

Figure 3-6 Internal assemblies (5 of 7)

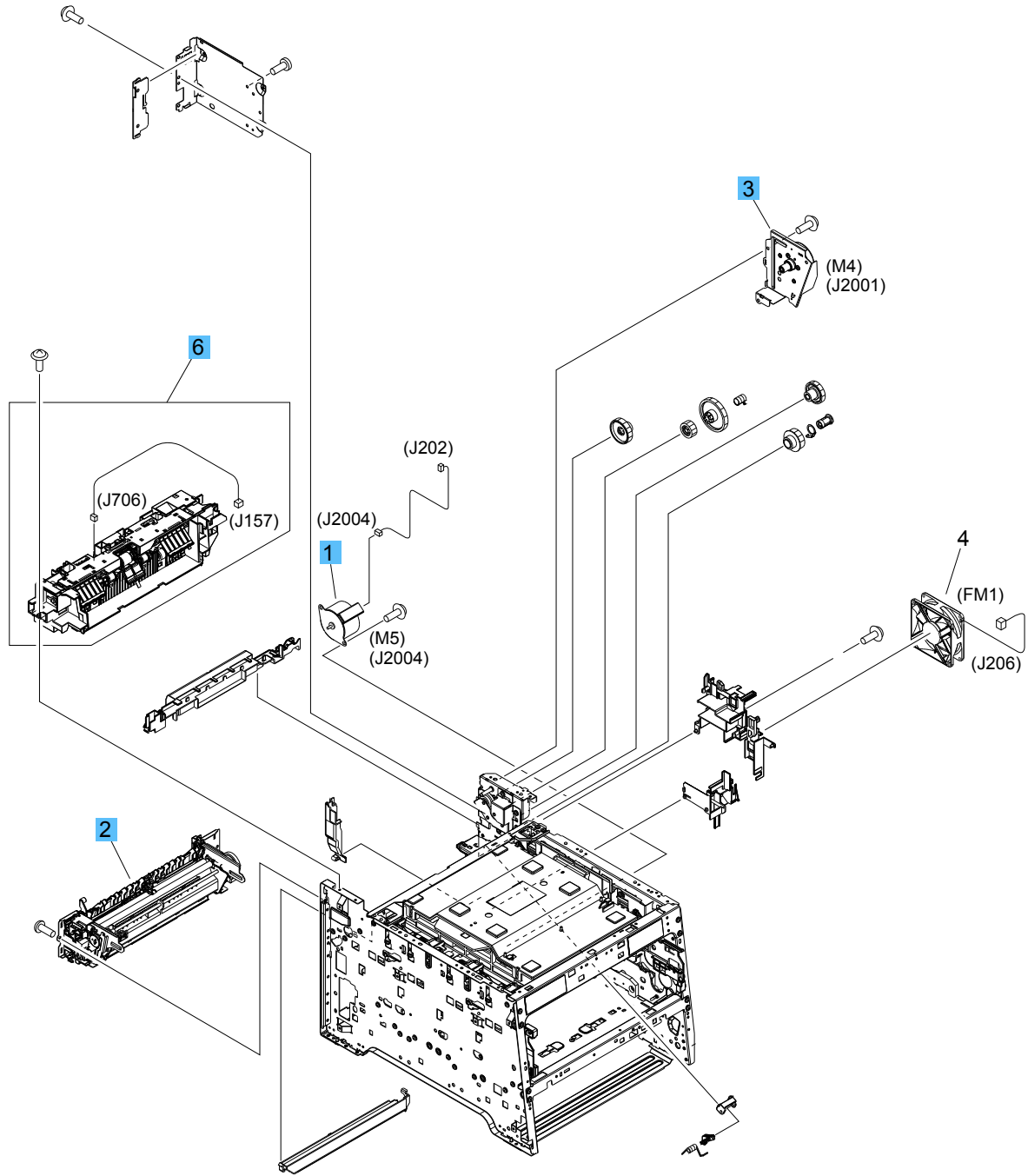


Table 3-12 Internal assemblies (5 of 7)

Ref	Description	Part number	Qty
1	Motor, feed assembly (M5)	RM1-5419-000	1
2	Fuser assembly (110v)	RM1-8054-000	1
2	Fuser assembly (220v)	RM1-8606-000	1
3	Motor, fuser assembly (M4)	RM1-8609-000	1
6	Paper delivery assembly	RM1-8049-000	1