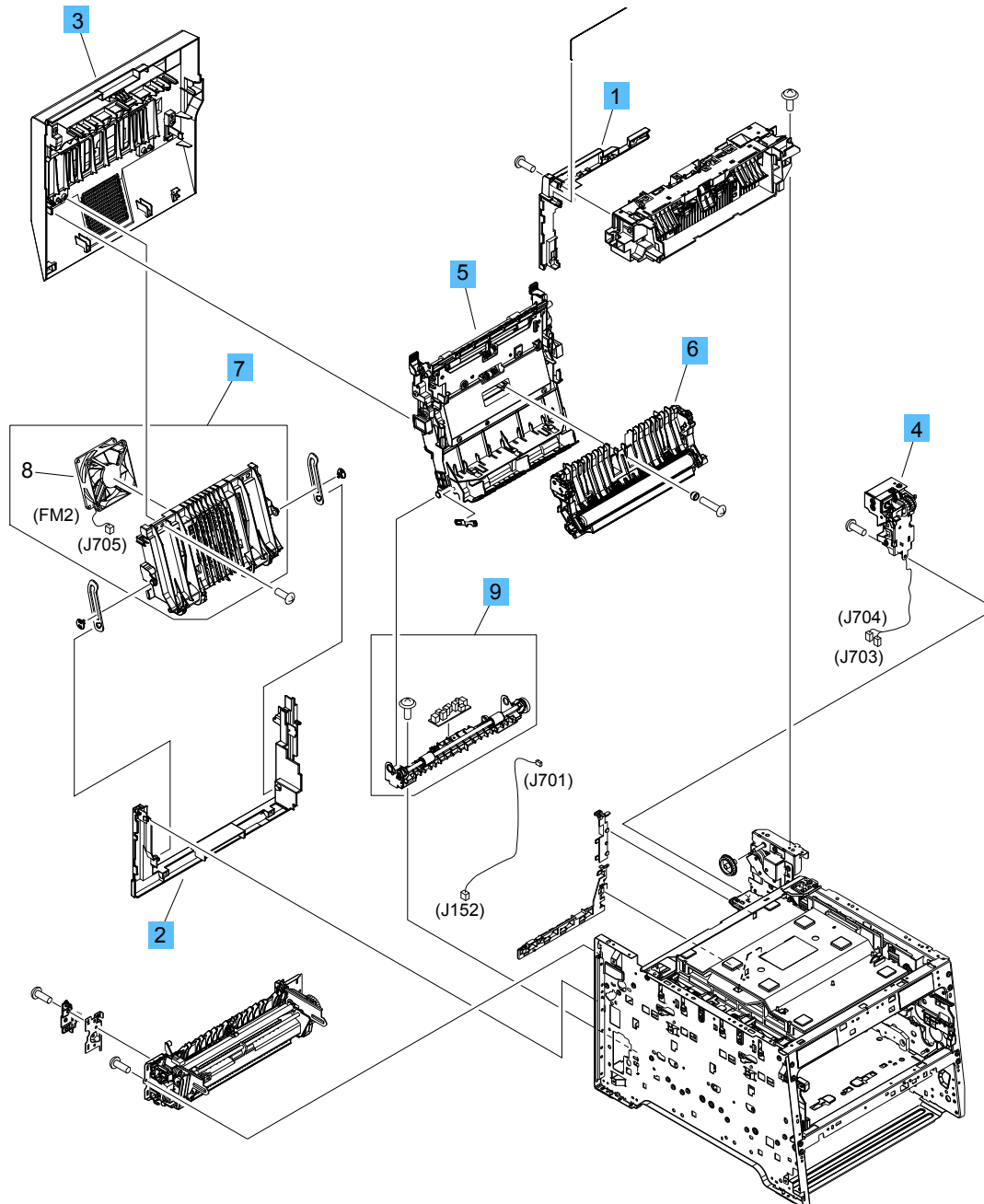


## Internal assemblies (duplex models)

Figure 3-8 Internal assemblies (duplex models)



**Table 3-14 Internal assemblies (duplex models)**

Ref	Description	Part number	Qty
1	Cover, upper-rear (duplex)	RC3-1701-000	1
2	Cover, lower-rear (duplex)	RC3-1700-000	1
3	Door, rear (duplex)	RM1-8052-000	1
4	Reverse drive assembly (duplex)	RM1-4880-000	1
5	Feed guide, duplex assembly (duplex; includes transfer roller) <sup>1</sup>	RM1-4879-000	1
6	Paper feed guide assembly (duplex; includes transfer roller)	RM1-8043-000	1
7	Rib assembly, rear-door (duplex)	RM1-8053-000	1
9	Paper re-pickup guide assembly (duplex)	RM1-8051-000	1

<sup>1</sup> For a broken link-guide: you must replace either the duplexing-feed guide assembly, or the entire product (the interior paper guide is not replaceable).