

Internal assemblies (simplex models)

Figure 3-7 Internal assemblies (simplex models)

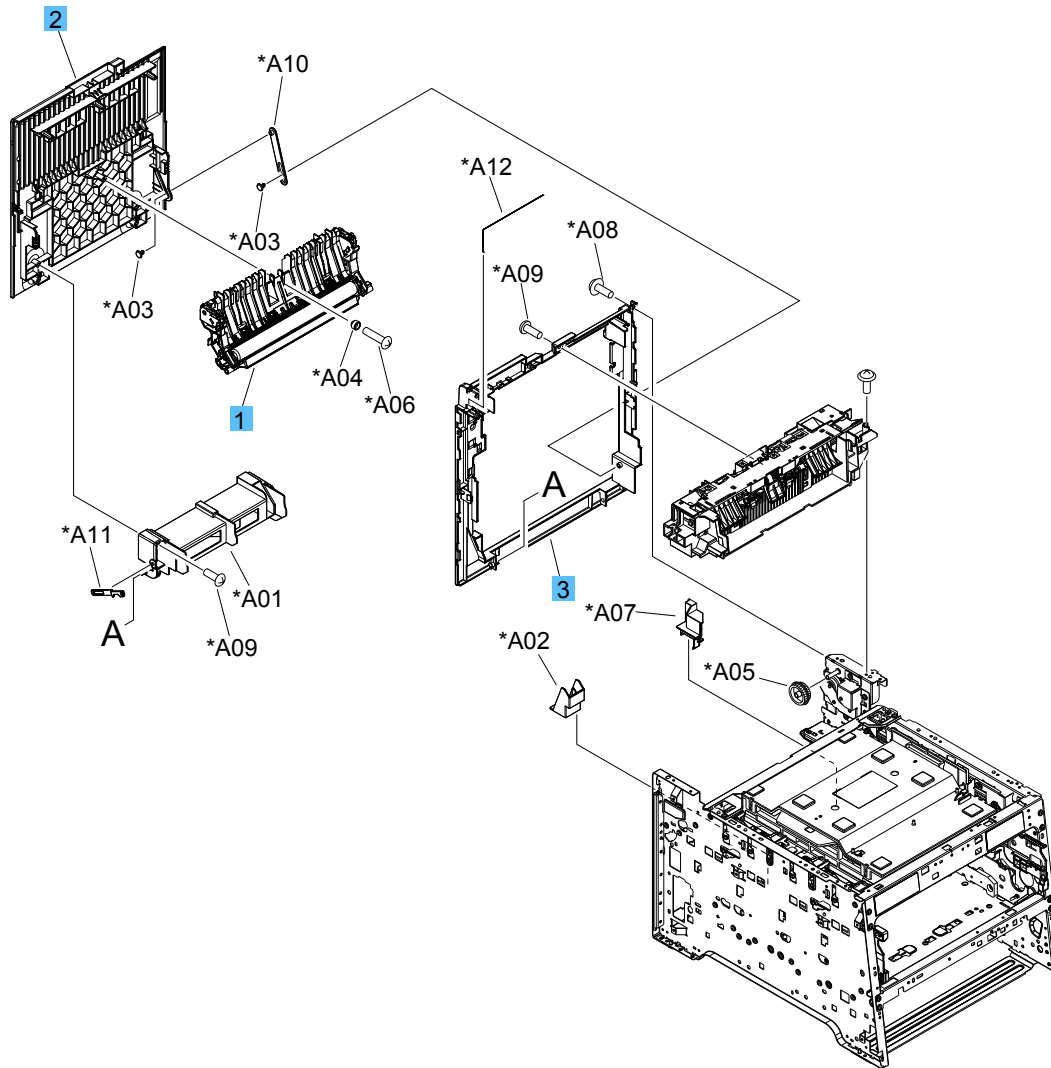


Table 3-13 Internal assemblies (simplex models)

| Ref | Description | Part number | Qty |
|------------|---|--------------------|------------|
| 1 | Paper feed guide assembly (simplex; includes transfer roller) | RM1-8043-000 | 1 |
| 2 | Door, rear (simplex) | RC3-1665-000 | 1 |
| 3 | Cover, rear (simplex) | RC3-1666-000 | 1 |