

Covers

Figure 3-2 External panels and covers

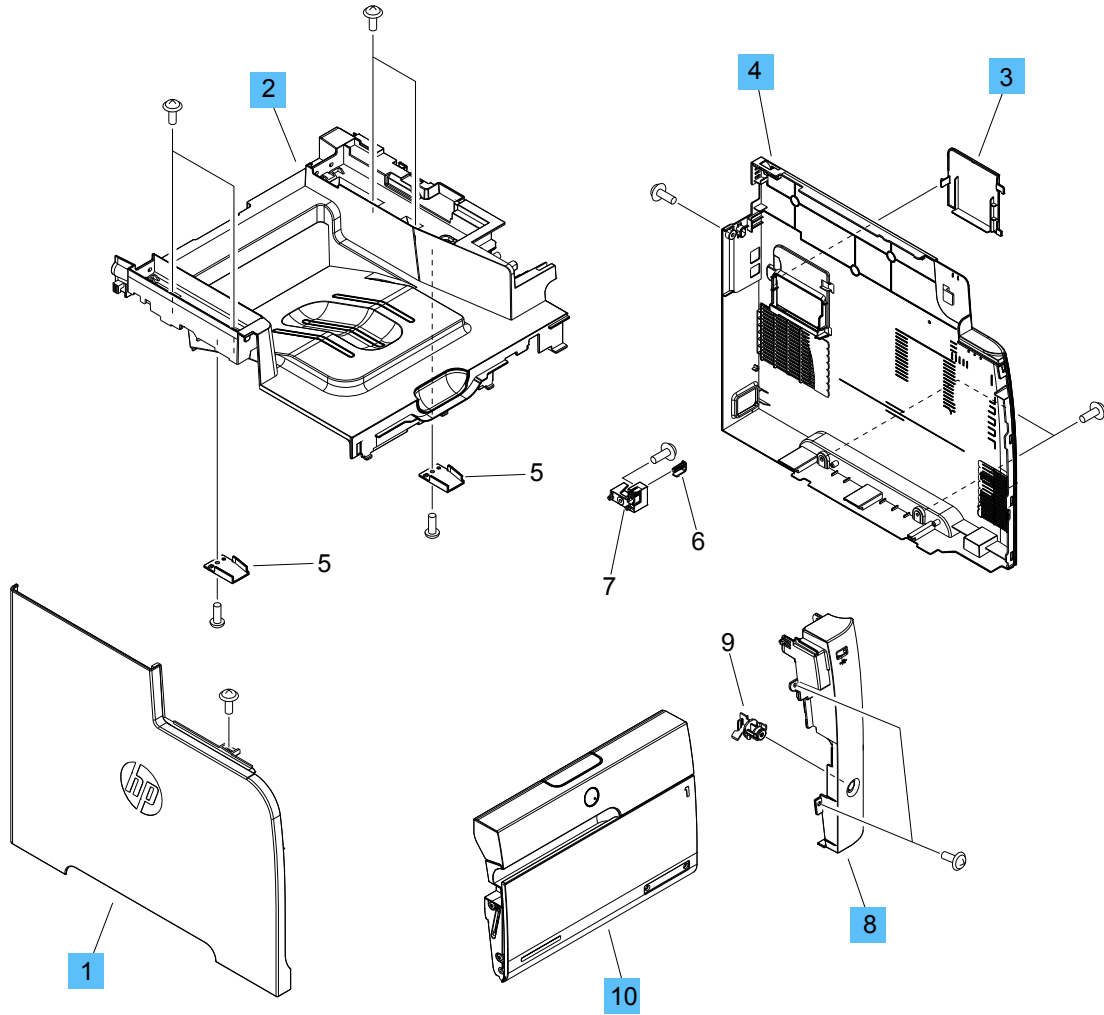


Table 3-7 Covers^{1,2}

Ref	Description	Part number	Qty
1	Cover, left	RL1-3063-000	1
2	Cover, upper assembly	RM1-8060-000	1
3	Cover, DIMM	RC3-1751-000	1
4	Cover, right	RC3-1732-000	1
8	Cover, right front	RC3-1733-000	1
10	Door, front assembly	RM1-8064-000	1

¹ For simplex products, the rear cover and the rear door are shown in [Figure 3-8 Internal assemblies \(simplex models\) on page 264](#).

² For duplex products, the upper-rear cover, lower-rear cover, and the rear door are shown in [Figure 3-9 Internal assemblies \(duplex models\) on page 266](#).