

Internal components (3 of 5)

Figure 3-5 Internal assemblies (3 of 7)

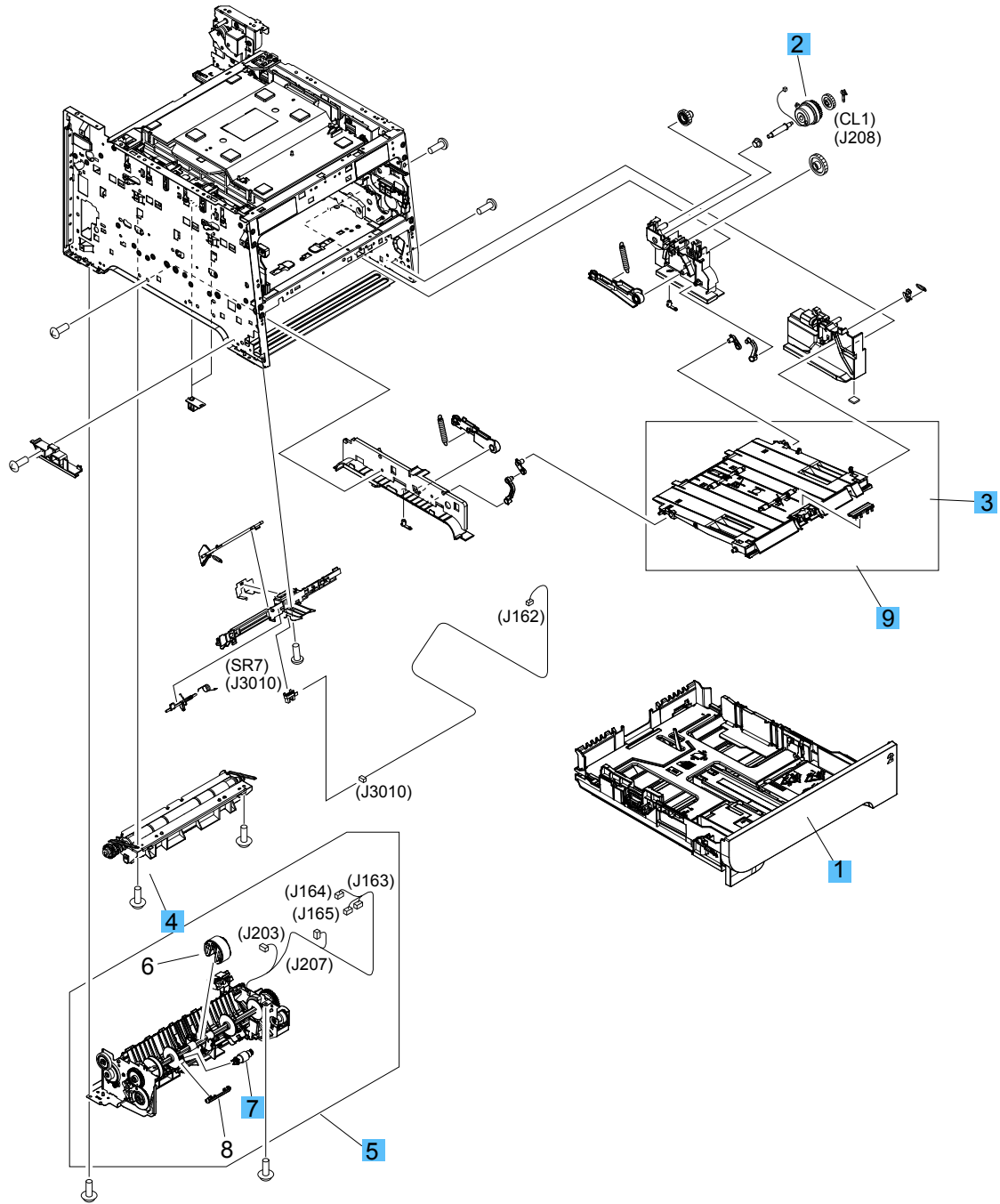


Table 3-10 Internal assemblies (3 of 7)

Ref	Description	Part number	Qty
1	Cassette, Tray 2	RM1-8063-000	1
2	Multi purpose clutch assembly	RM1-8318-000	1
3	Pad, separation Tray 1	RL1-1785-000CN	1
4	Registration assembly	RM1-4841-000	1
5	Paper pickup assembly	RM1-8045-000	1
6	Tray 2 paper pickup roller assembly	RM1-8047-000	1
7	Tray 2 separation roller assembly	RM1-4840-000	1
9	Multi purpose tray assembly	RM1-8610-000	1