

Internal assemblies (simplex models)

Figure 3-8 Internal assemblies (simplex models)

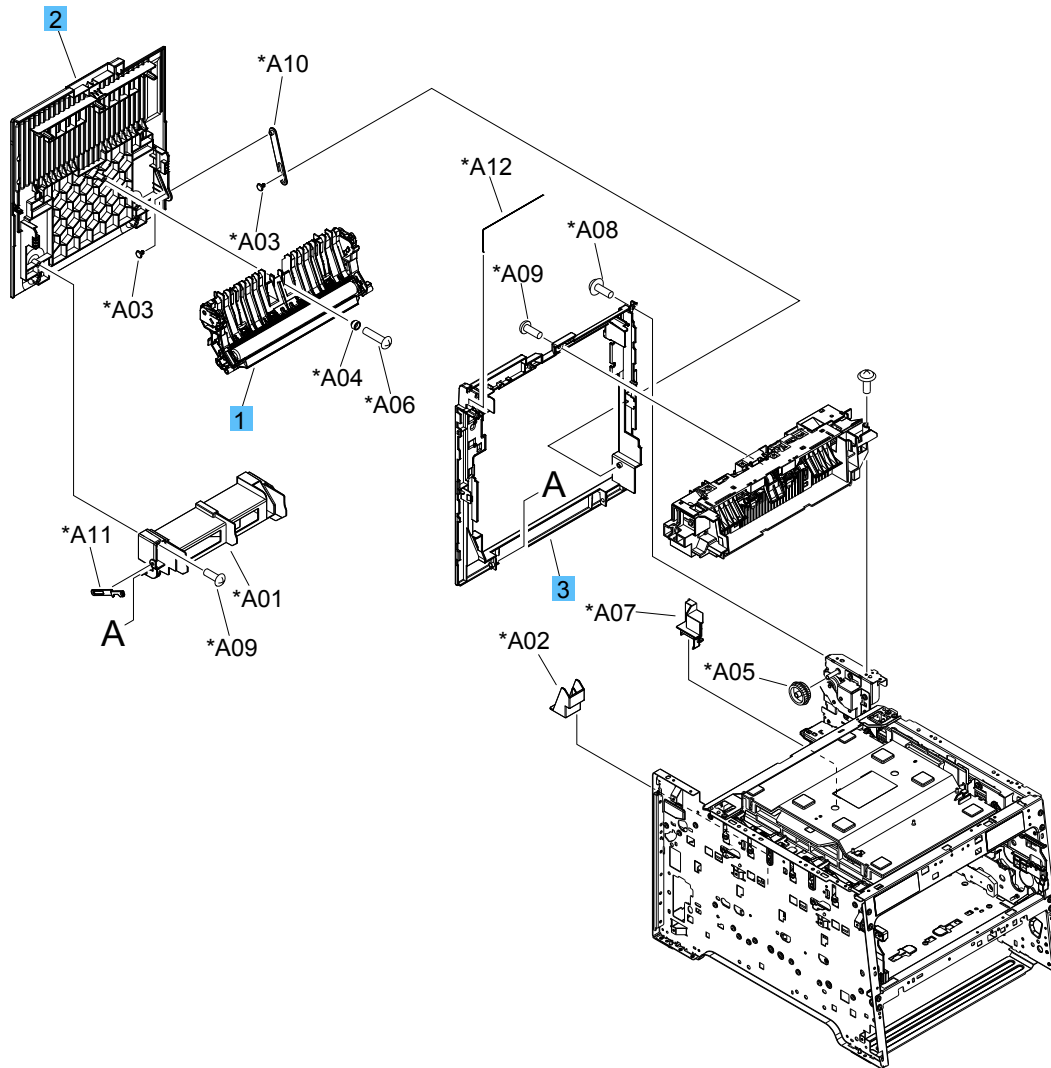


Table 3-13 Internal assemblies (simplex models)

Ref	Description	Part number	Qty
1	Paper feed guide assembly (simplex; includes transfer roller)	RM1-8043-000	1
2	Door, rear (simplex)	RC3-1665-000	1
3	Cover, rear (simplex)	RL1-3072-000	1