

Covers

Figure 2-2 External panels and covers

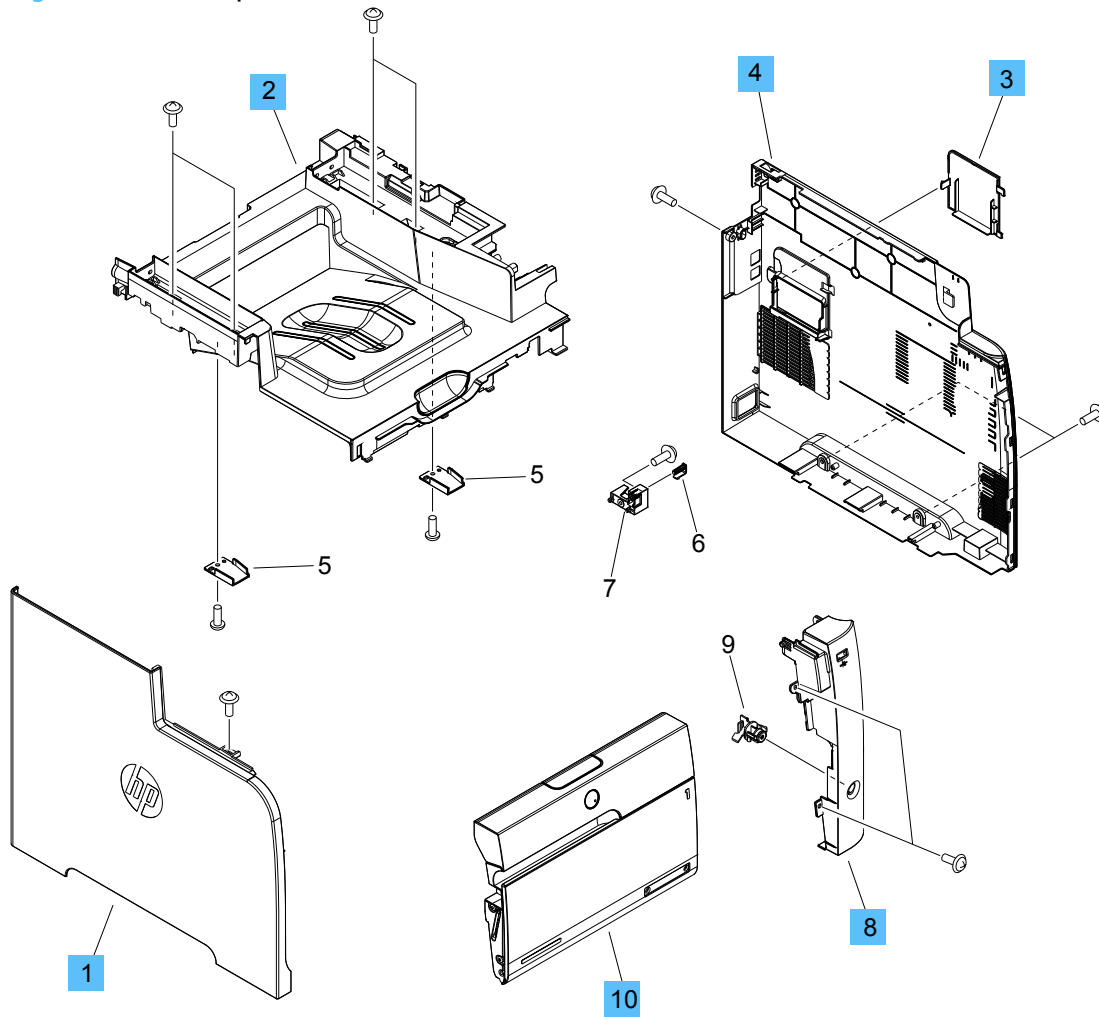


Table 2-10 Covers

Ref	Description	Part number	Qty
1	Cover, left	RL1-3063-000	1
2	Cover, top assembly	RM2-5300-000	1
3	Cover, DIMM	RC4-2852-000	1
4	Cover, right	RC4-2855-000	1
8	Cover, right front	RC4-2860-000	1
10	Door, front assembly	RM2-5301-000	1