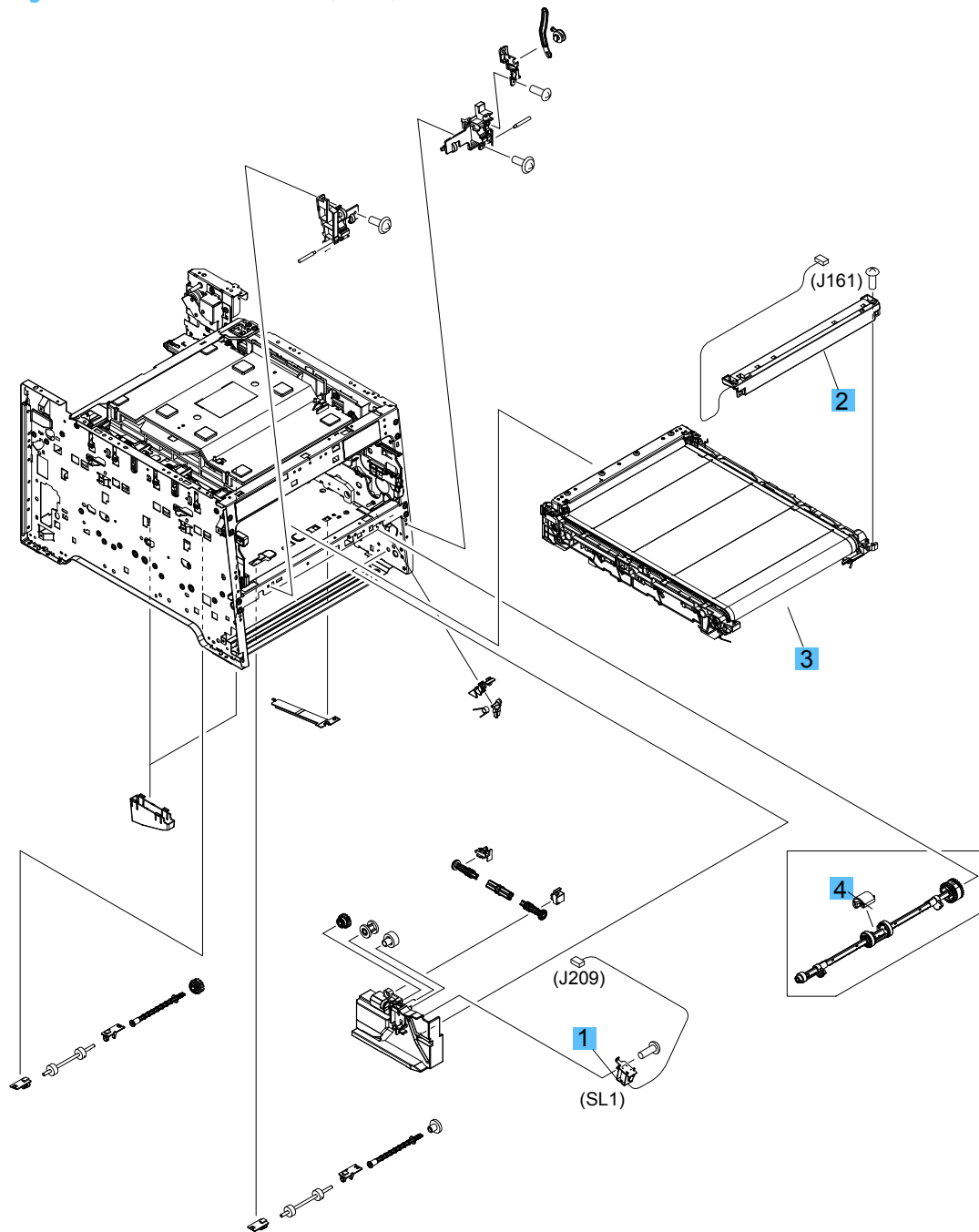


## Internal assemblies (2 of 7)

Figure 2-4 Internal assemblies (2 of 7)



**Table 2-12 Internal assemblies (2 of 7)**

<b>Ref</b>	<b>Description</b>	<b>Part number</b>	<b>Qty</b>
1	Solenoid, Tray 1 (MP)	RM1-5420-000	1
2	Color misregistration sensor assembly	RM1-8029-000	1
3	Intermediate transfer belt (ITB)	RM2-0192-000	1
4	Roller, paper-pickup Tray 1	RL1-1802-000	1