

Internal assemblies (5 of 7)

Figure 2-7 Internal assemblies (5 of 7)

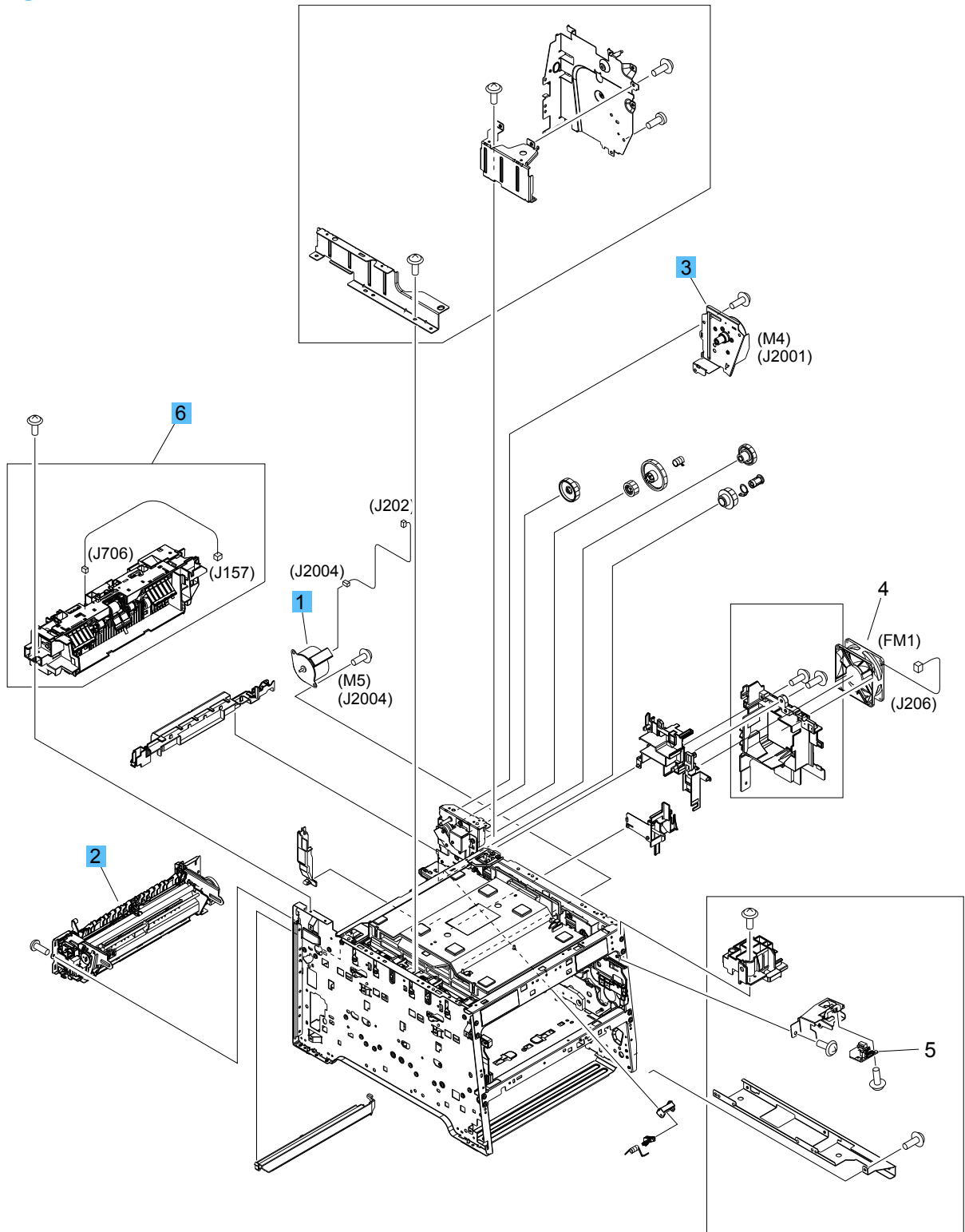


Table 2-15 Internal assemblies (5 of 7)

| Ref | Description | Part number | Qty |
|------------|-------------------------|--------------------|------------|
| 1 | Feed motor assembly | RM1-5419-000 | 1 |
| 2 | Fixing assembly (110v) | RM2-5476-000 | 1 |
| 2 | Fixing assembly (220v) | RM2-5478-000 | 1 |
| 3 | Fixing motor assembly | RM1-8609-000 | 1 |
| 6 | Paper delivery assembly | RM1-8049-000 | 1 |