

Internal assemblies (6 of 7)

Figure 2-8 Internal assemblies (6 of 7)

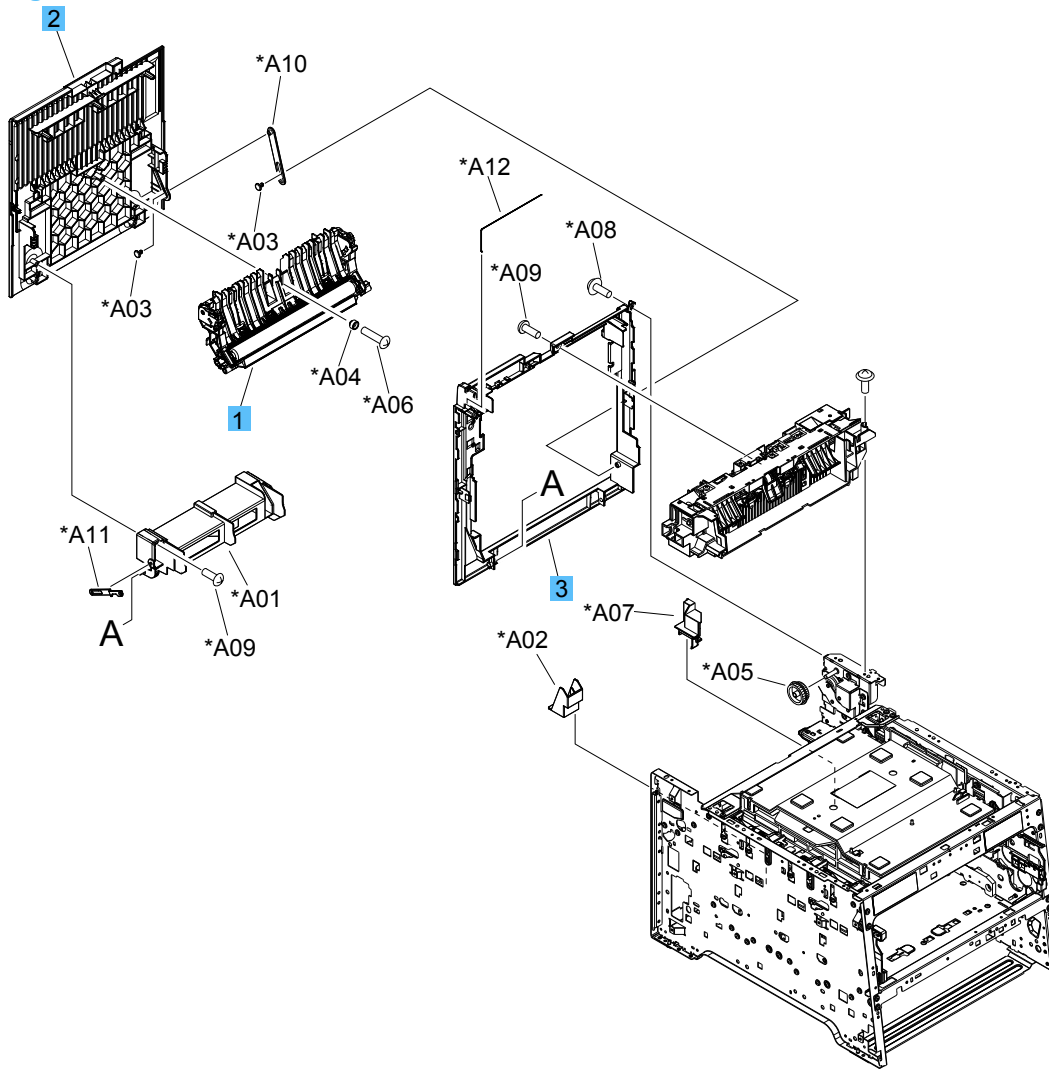


Table 2-16 Internal assemblies (6 of 7)

Ref	Description	Part number	Qty
1	Paper feed guide assembly (simplex model; includes transfer roller)	RM1-8043-000	1
2	Door, rear (simplex model)	RC3-1665-000	1
3	Cover, rear (simplex model)	RL1-3072-000	1