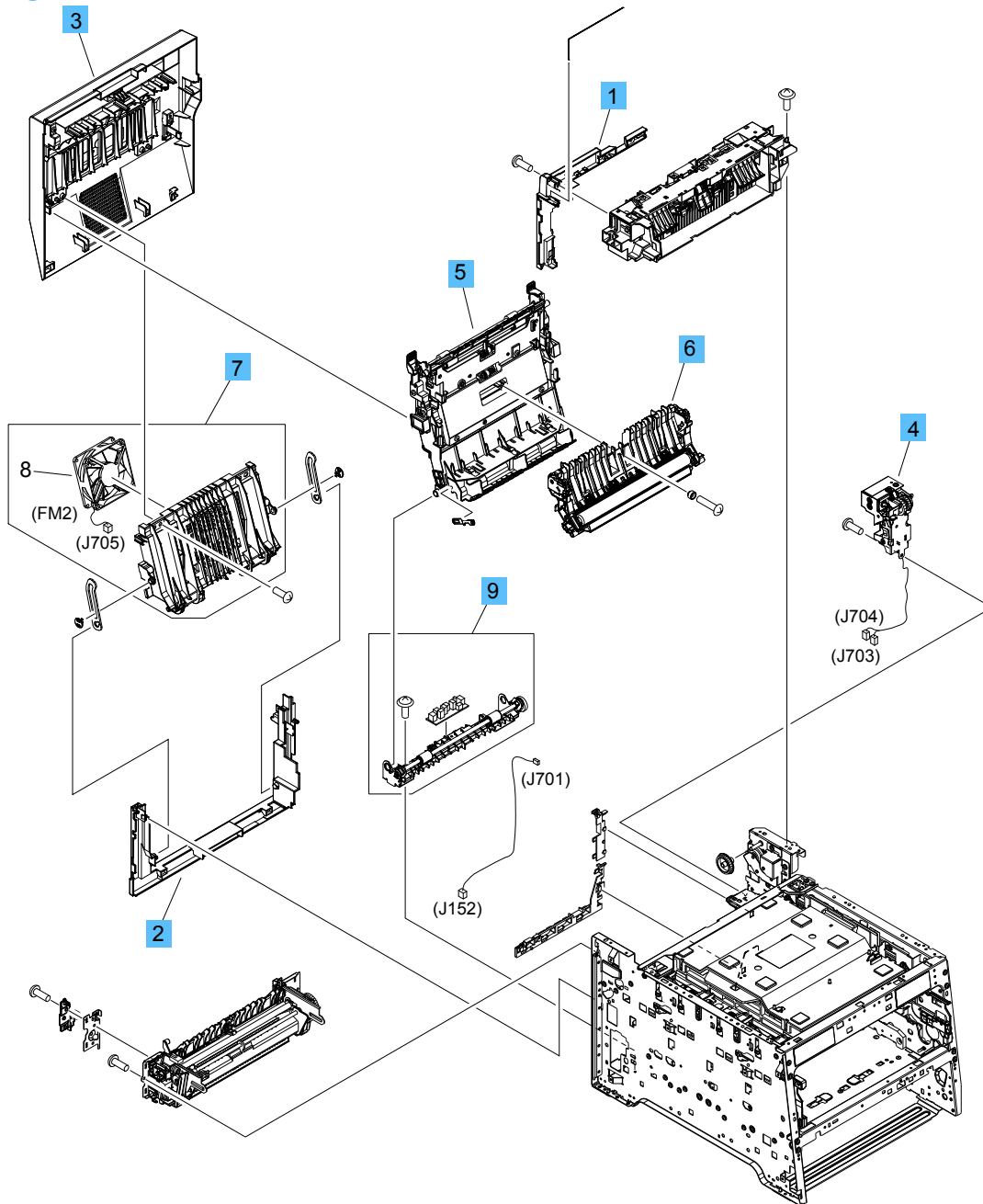


## Internal assemblies (7 of 7)

Figure 2-9 Internal assemblies (7 of 7)



**Table 2-17 Internal assemblies (7 of 7)**

<b>Ref</b>	<b>Description</b>	<b>Part number</b>	<b>Qty</b>
1	Cover, upper-rear	RL1-3068-000	1
2	Cover, lower-rear	RC3-1700-000	1
3	Door, rear	RM1-8052-000	1
4	Reverse drive assembly	RM1-4880-000	1
5	Feed guide, duplex assembly (includes transfer roller) <sup>1</sup>	RM1-4879-000	1
6	Paper feed guide assembly (includes transfer roller)	RM1-8043-000	1
7	Rib assembly, rear-door	RM1-8053-000	1
9	Paper-pickup guide assembly	RM1-8051-000	1

<sup>1</sup> For a broken link-guide: you must replace either the duplexing-feed guide assembly, or the entire product (the interior paper guide is not replaceable).