

PCAs

Figure 2-10 PCAs

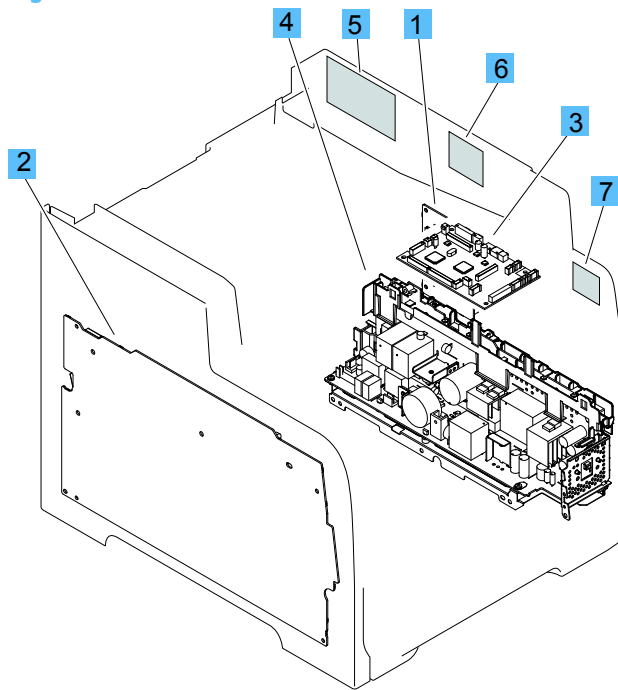


Table 2-18 PCAs

Ref	Description	Part number	Qty
1	Driver PCA	RM1-8032-000	1
2	High-voltage power supply	RM1-8031-000	1
3	DC controller	RM2-8028-000	1
4	Low-voltage power supply (110v)	RM2-8030-000	1
4	Low-voltage power supply (220v)	RM2-8032-000	1
5	Fax PCA (US only)	CF206-60001	1
5	Fax PCA (Europe only)	CF207-60001	1
5	Fax PCA (Brazil only)	CF208-60001	1
6	Wireless controller PCA	1150-7951	1
Not shown	Formatter PCA M476 nw	CF385-60001	1
Not shown	Formatter PCA M476 dn	CF386-60002	1
Not shown	Formatter PCA M476 dw	CF387-60004	1
Not shown	Formatter PCA M476 nw (China only)	CF385-60002	1
Not shown	Formatter PCA M476 dn (China only)	CF386-60003	1
Not shown	Formatter PCA M476 dw (China only)	CF387-60005	1