

550-sheet paper feeder main body (2 of 2)

Figure 2-14 550-sheet paper feeder main body (2 of 2)

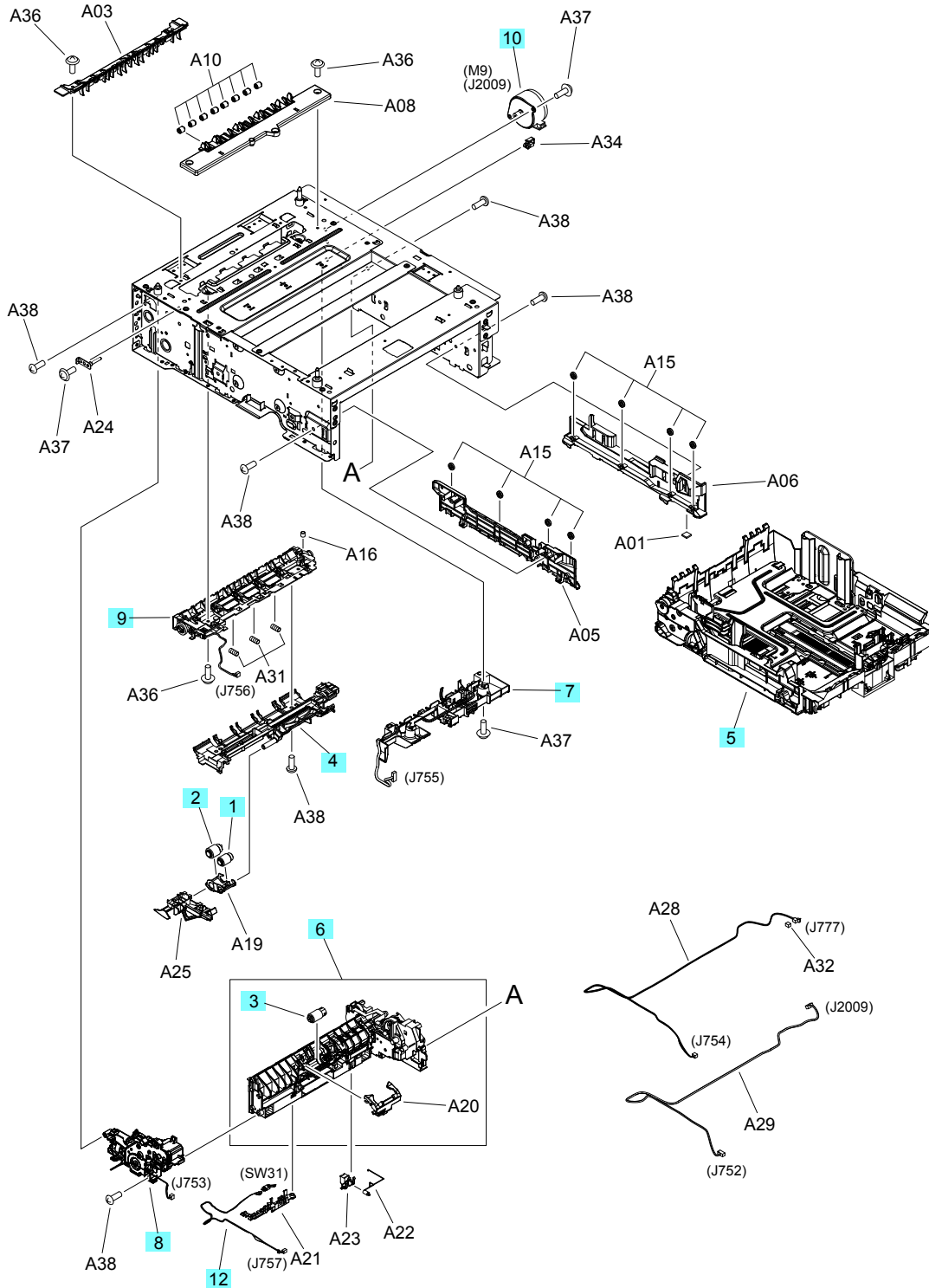


Table 2-16 550-sheet paper feeder main body (2 of 2)

Ref	Description	Part number	Qty
1	Paper pickup roller assembly (550-sheet feeder)	RM2-5576-000CN	1
2	Feed roller assembly (550-sheet feeder)	RM2-5577-000CN	1
3	Separation roller assembly (550-sheet feeder)	RM2-5881-000CN	1
4	Feed guide assembly, rear (550-sheet feeder)	RM2-6366-000CN	1
5	Cassette assembly (550-sheet feeder)	RM2-6486-000CN	1
6	Paper pickup assembly (550-sheet feeder)	RM2-6490-000CN	1
7	Feed guide assembly, front (550-sheet feeder)	RM2-6492-000CN	1
8	Lifter drive assembly (550-sheet feeder)	RM2-6493-000CN	1
9	Paper feed assembly (550-sheet feeder)	RM2-6494-000CN	1
10	Pickup motor (M9) (550-sheet feeder)	RM2-7350-000CN	1
12	Switch cable assembly (550-sheet feeder)	RM2-7897-000CN	1