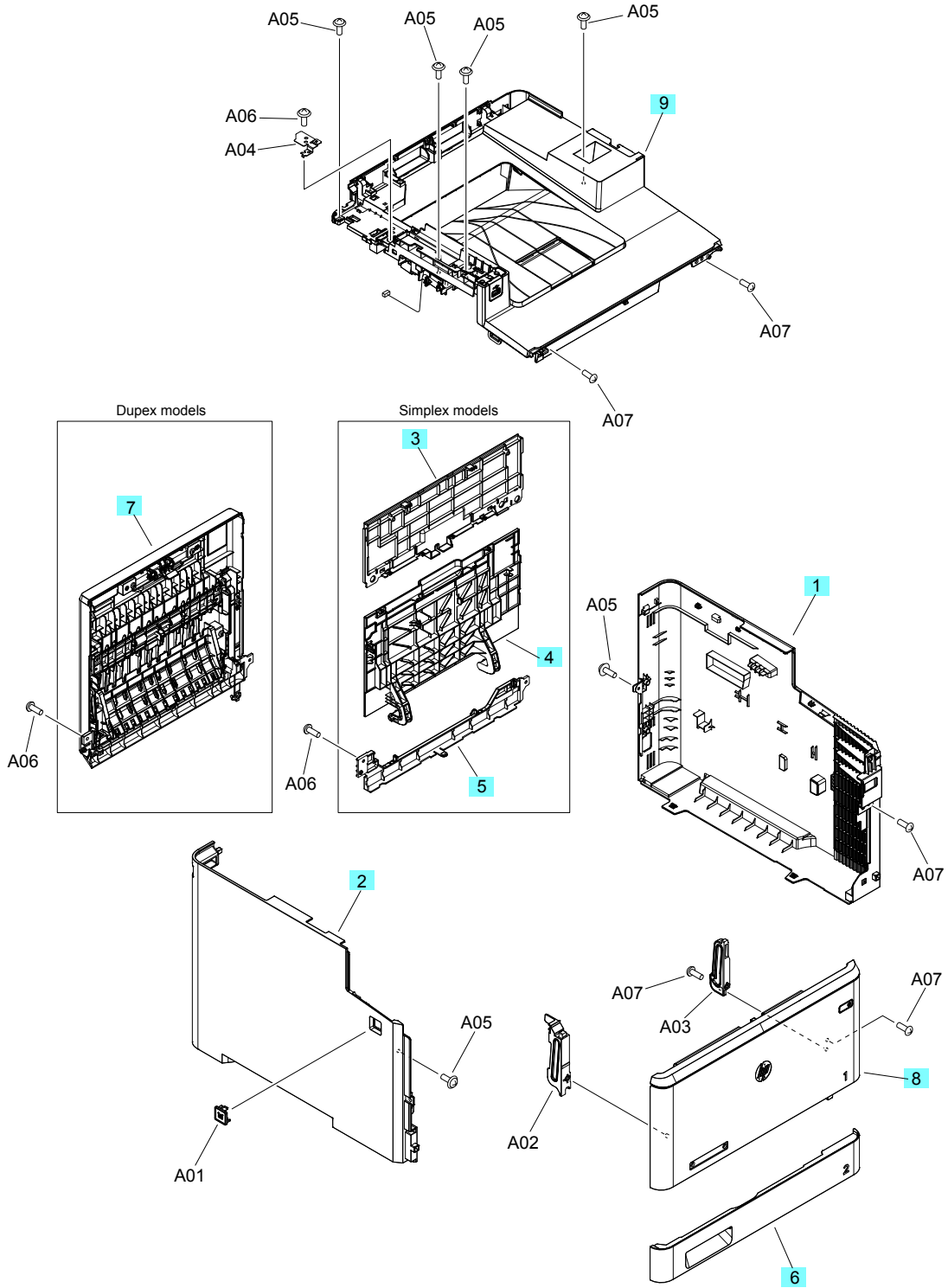


# M377, M477 covers and control panel

Figure 2-6 M377, M477 covers and control panel



**Table 2-8 M377, M477 covers and control panel**

<b>Ref</b>	<b>Description</b>	<b>Part number</b>	<b>Qty</b>
1	Cover, right (M377, M477)	RC4-6044-000CN	1
2	Cover, left (M377, M477)	RC4-6045-000CN	1
3	Cover, rear (simplex models)	RC4-4855-000CN	1
4	Door, rear (simplex models)	RC4-5130-000CN	1
5	Cover, rear lower (simplex models)	RC4-5131-000CN	1
6	Cover, cassette	RC4-5334-000CN	1
7	Duplexing door assembly (duplex models)	RM2-6383-000CN	1
8	Door, front assembly	RM2-6390-000CN	1
9	Cover, top (M377, M477fdw)	RM2-6468-000CN	1
9	Cover, top (M477fnw/fdn)	RM2-6466-000CN	1
Not shown	Control panel, touchscreen (M377, M477)	B5L25-60101	1
Not shown	Cover, 4.3" control panel back (M377, M477)	CF377-40003	1
Not shown	Assembly, control panel mount chassis 4.3 (M377, M477)	CF377-60113	1
Not shown	Control panel mount chassis 4.3 (M377, M477)	B3Q10-40055	1
Not shown	Gear, control panel friction (M377, M477)	B3Q09-40003	1
Not shown	FFC cover (M377, M477)	CF377-40004	1
Not shown	Fax cover (M477)	CF377-40005	1
Not shown	Fax cable cover (M477)	CF377-40006	1
Not shown	Shield, RFI SSA FFC (M377, M477)	CF377-00006	1