

Parts and diagrams: Internal components

Internal components (1 of 5)

Figure 2-7 Internal components (1 of 5)

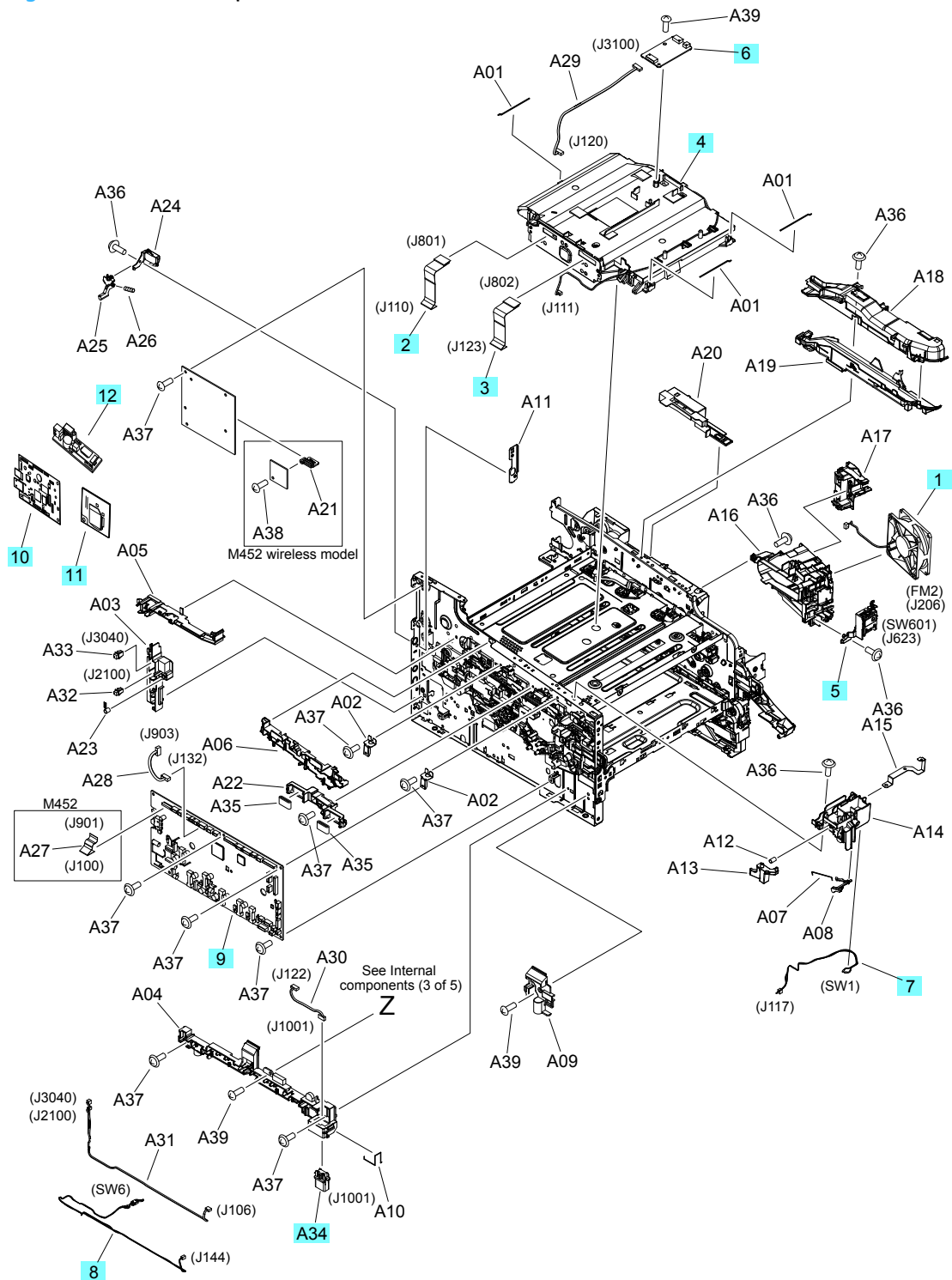


Table 2-9 Internal components (1 of 5)

Ref	Description	Part number	Qty
1	Fan (FM2)	RK2-6270-000CN	1
2	Cable, flexible flat	RK2-6300-000CN	1
3	Cable, flexible flat	RK2-6302-000CN	1
4	Laser/scanner assembly	RM2-5612-000CN	1
5	Switch assembly, power	RM2-6373-000CN	1
6	Memory PCA	RM2-7374-000CN	1
7	Switch, cable front door assembly	RM2-7889-000CN	1
8	Switch, cassette cable assembly	RM2-7896-000CN	1
9	Engine controller PCA (duplex models)	RM2-7909-000CN	1
9	Engine controller PCA (simplex models)	RM2-7910-000CN	1
10	Formatter PCA, generic (M452nw/dn)	CF389-60001	1
10	Formatter PCA, generic (M452dw)	CF394-60001	1
10	Formatter PCA (M452nw)	CF388-60003	1
10	Formatter PCA (M452nw—China only)	CF388-67018	1
10	Formatter PCA (M452dn)	CF389-60002	1
10	Formatter PCA (M452dn—China only)	CF389-67018	1
10	Formatter PCA (M452dw)	CF394-60002	1
10	Formatter PCA (M452dw—China only)	CF394-67018	1
10	Formatter PCA, generic (M477)	CF379-60001	1
10	Formatter PCA (M477fnw)	CF377-60001	1
10	Formatter PCA (M477fnw—China only)	CF377-67018	1
10	Formatter PCA (M477fdn)	CF378-60002	1
10	Formatter PCA (M477fdn—China only)	CF378-67018	1
10	Formatter PCA (M477fdw)	CF379-60003	1
10	Formatter PCA (M477fdw—China only)	CF379-67018	1
10	Formatter PCA (M377dw)	CF378-67902	1
10	Formatter PCA (M377dw-China only)	CF378-67901	1
11	Wireless PCA (M452nw/dw)	0960-3295	1
11	Wireless PCA (M377, M477fnw/fdw)	1150-7967	1
12	Fax PCA (M477; US)	CF206-60001	1
12	Fax PCA (M477; Europe)	CF207-60001	1
12	Fax PCA (M477; Brazil)	CF208-60001	1
A34	Connector, drawer	VS1-7258-007CN	1