

Internal components (4 of 5)

Figure 2-10 Internal components (4 of 5)

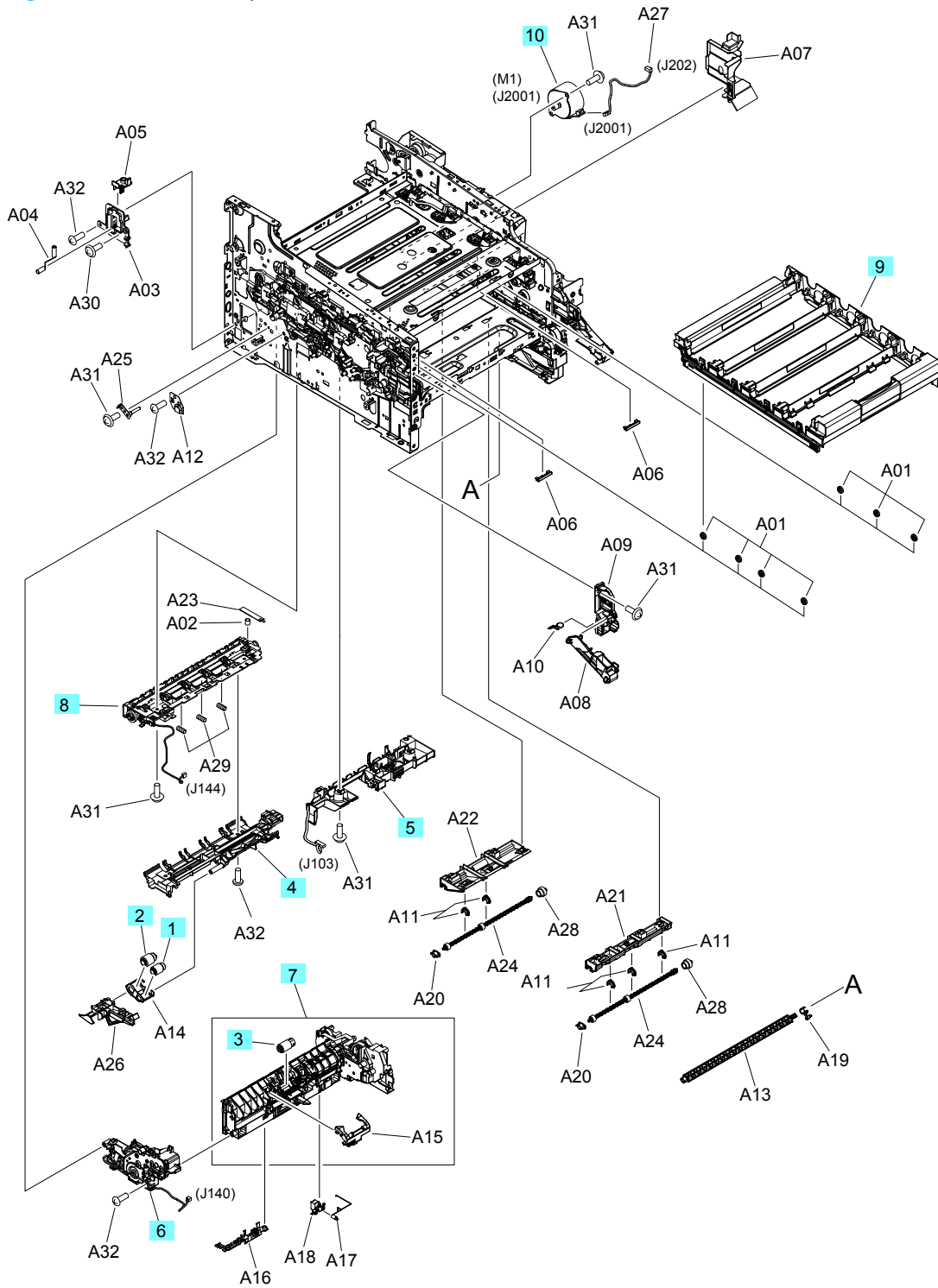


Table 2-12 Internal components (4 of 5)

Ref	Description	Part number	Qty
1	Roller, paper pickup assembly	RM2-5576-000CN	1
2	Roller, feed assembly	RM2-5577-000CN	1
3	Roller, separation	RM2-5881-000CN	1
4	Feed guide assembly, rear	RM2-6366-000CN	1
5	Feed guide assembly, front	RM2-6368-000CN	1
6	Lifter drive assembly	RM2-6370-000CN	1
7	Paper pickup assembly	RM2-6372-000CN	1
8	Registration assembly	RM2-6374-000CN	1
9	Cartridge tray assembly	RM2-6401-000CN	1
10	Motor, pickup (M1)	RM2-7350-000CN	1