

Internal components (5 of 5)

Figure 2-11 Internal components (5 of 5)

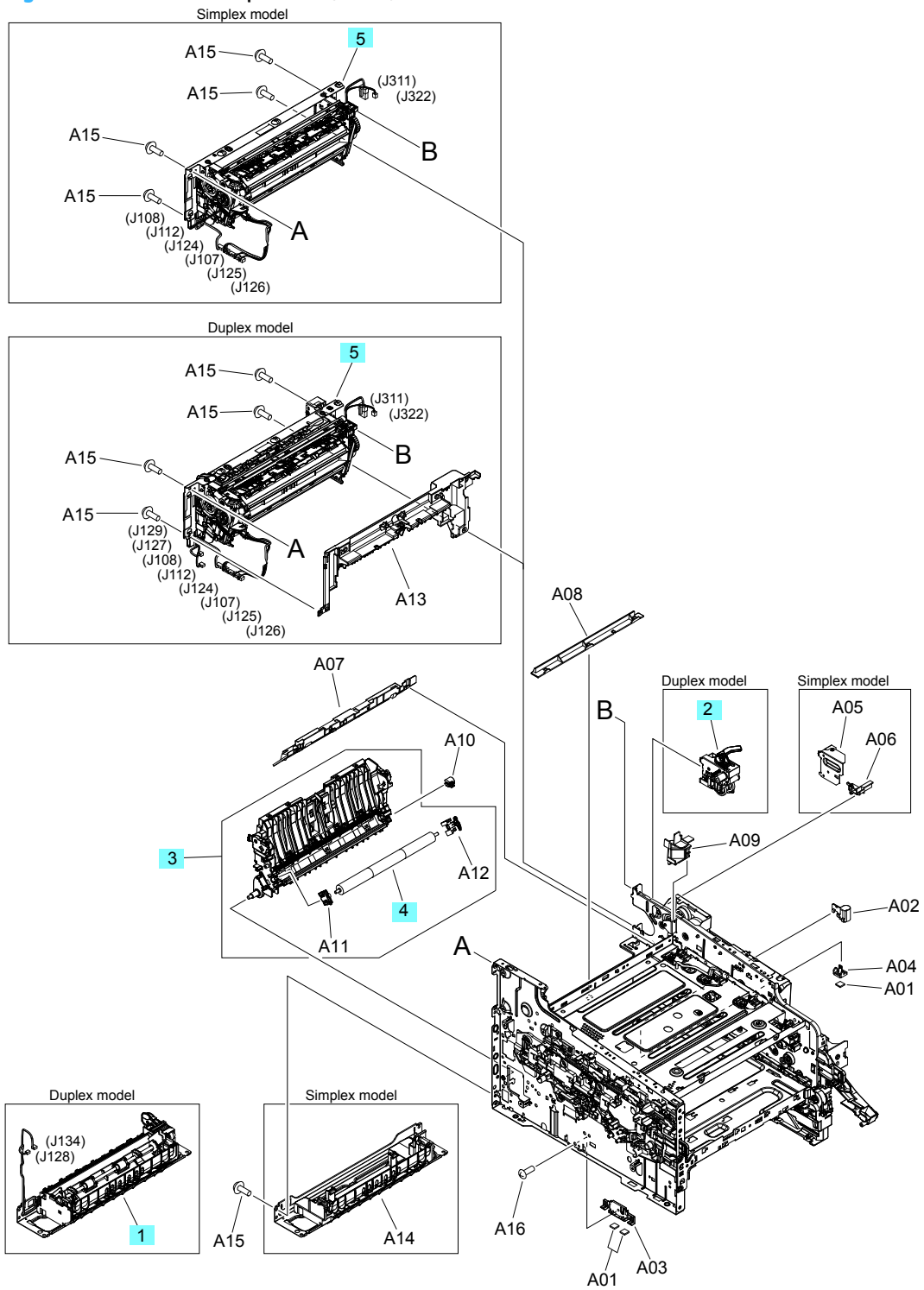


Table 2-13 Internal components (5 of 5)

Ref	Description	Part number	Qty
1	Paper pickup assembly (duplex models)	RM2-6387-000CN	1
2	Reverse drive assembly (duplex models)	RM2-6389-000CN	1
3	Secondary transfer assembly (duplex models)	RM2-6397-000CN	1
3	Secondary transfer assembly (simplex models)	RM2-6430-000CN	1
4	Secondary transfer roller	RM2-6455-000CN	1
5	Fuser (duplex; 110-127V)	RM2-6418-000CN	1
5	Fuser (duplex; 220-240V)	RM2-6435-000CN	1
5	Fuser (simplex; 110-127V)	RM2-6431-000CN	1
5	Fuser (simplex; 220-240V)	RM2-6436-000CN	1
Not shown	Walk-up USB port	CF368-60001	
Not shown	Near-field communication (NFC) PCA (M452dw/M477fdw)	B4K93-60001	