

# Internal components

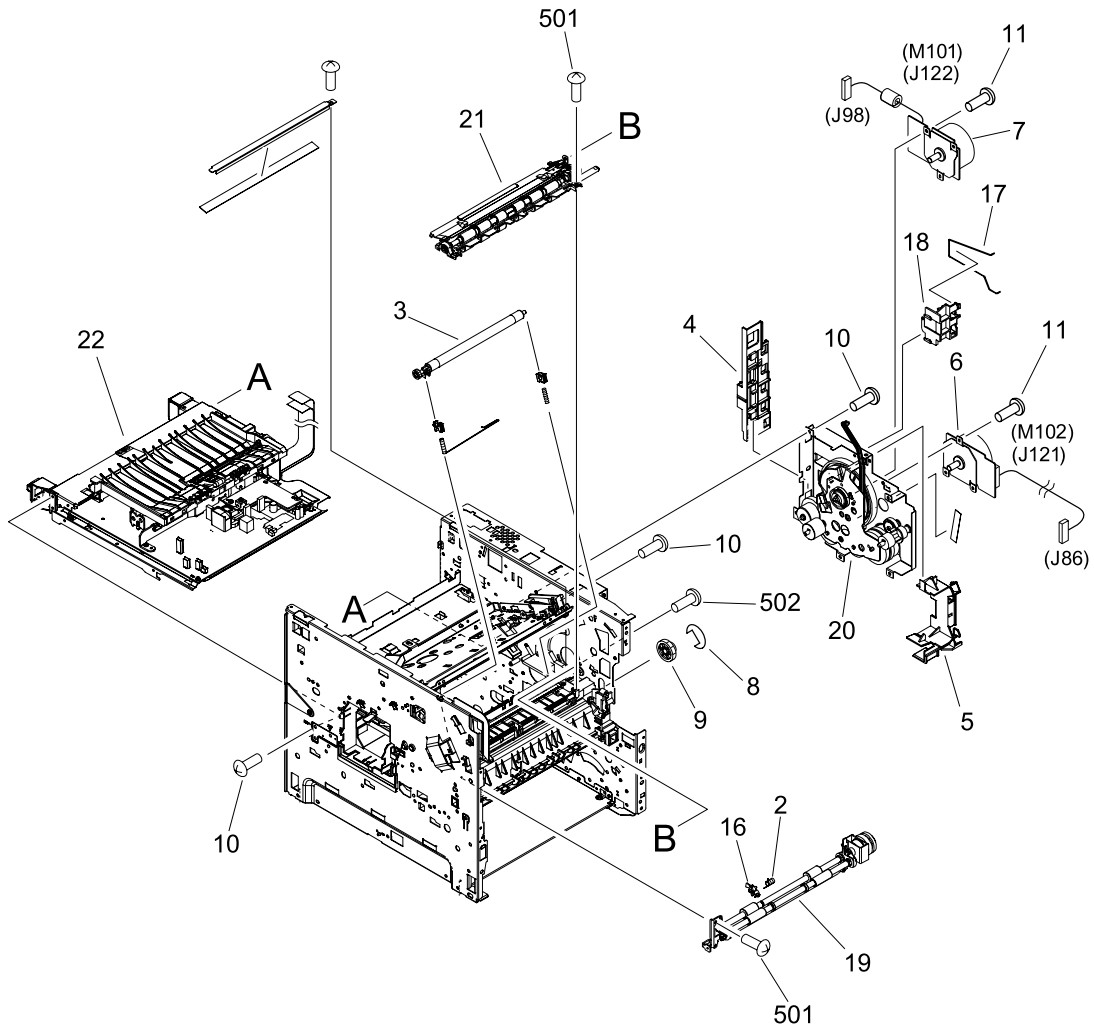


Figure 8-6 Internal components (1 of 3)

**Table 8-8** Internal components (1 of 3)

Ref	Description	Part number	Qty
2	Spring, torsion	RC1-0061-000CN	1
3	Transfer roller, LJ 4200/4300	RM1-0699-020CN	1
3	Transfer roller, LJ 4250/4350	RM1-1110-000CN	1
4	Guide, flat cable	RC1-0269-020CN	1
5	Guide, flat cable	RC1-0270-020CN	1
6	Motor, print cartridge (M102), 8-pin (LJ 4250/4350)	RK2-0274-000CN	1
6	Motor, print cartridge (M102), 8-pin (LJ 4300)	RH7-1576-020CN	1
7	Motor, main (M101), 10-pin (LJ4200/4300)	RH7-1570-000CN	1
7	Motor, main (M101), 10-pin (LJ4250/4350)	RK2-0272-000CN	1
8	E-ring	XD9-0232-000CN	1
9	Gear, 14t/30t	RU5-0015-000CN	1
10	Screw, s, m3x8	XA9-1500-000CN	17
11	Screw, tapping, m3x6	XA9-1503-000CN	6
16	Flag, paper feed sensor	RC1-0060-000CN	1
17	Rod, fan 2 (LJ 4300)	RC1-0341-000CN	1
17	Rod, fan 2 (LJ 4250/4350)	RC1-3339-000CN	1
18	Guide, dc controller (LJ 4200/4300)	RC1-0271-000CN	1
18	Guide, dc controller (LJ 4250/4350)	RC1-3340-000CN	1
19	Feed roller assembly (also see <a href="#">Figure 8-11 Feed roller assembly</a> )	RM1-0012-020CN	1
20	Main drive assembly (LJ 4200/4300) (also see <a href="#">Figure 8-10 Main drive assembly</a> )	RM1-0001-030CN	1
20	Main drive assembly (LJ 4250/4350) (also see <a href="#">Figure 8-10 Main drive assembly</a> )	RM1-1066-000CN	1
21	Registration assembly	RM1-0011-060CN	1
22	Power-supply assembly, 110-127 V (LJ 4200) (also see <a href="#">Figure 8-9 Electrical components</a> )	RM1-0019-050CN	1
22	Power-supply assembly, 220-240 V (LJ 4200) (also see <a href="#">Figure 8-9 Electrical components</a> )	RM1-0020-000CN	1
22	Power-supply assembly, 110-127 V (LJ 4250/4350) (also see <a href="#">Figure 8-9 Electrical components</a> )	RM1-1070-000CN	1
22	Power-supply assembly, 220-240 V (LJ 4250/4350) (also see <a href="#">Figure 8-9 Electrical components</a> )	RM1-1071-000CN	1
22	Power-supply assembly, 110-127 V (LJ 4300) (also see <a href="#">Figure 8-9 Electrical components</a> )	RM1-0107-000CN	1
22	Power-supply assembly, 220-240 V (LJ 4300) (also see <a href="#">Figure 8-9 Electrical components</a> )	RM1-0108-000CN	1

Ref	Description	Part number	Qty
501	Screw, tapping, pan head, m4x10	XB4-7401-007CN	14
502	Screw, w/washer, m3x6	XB2-7300-607CN	2