

# ADF components

## ADF assembly

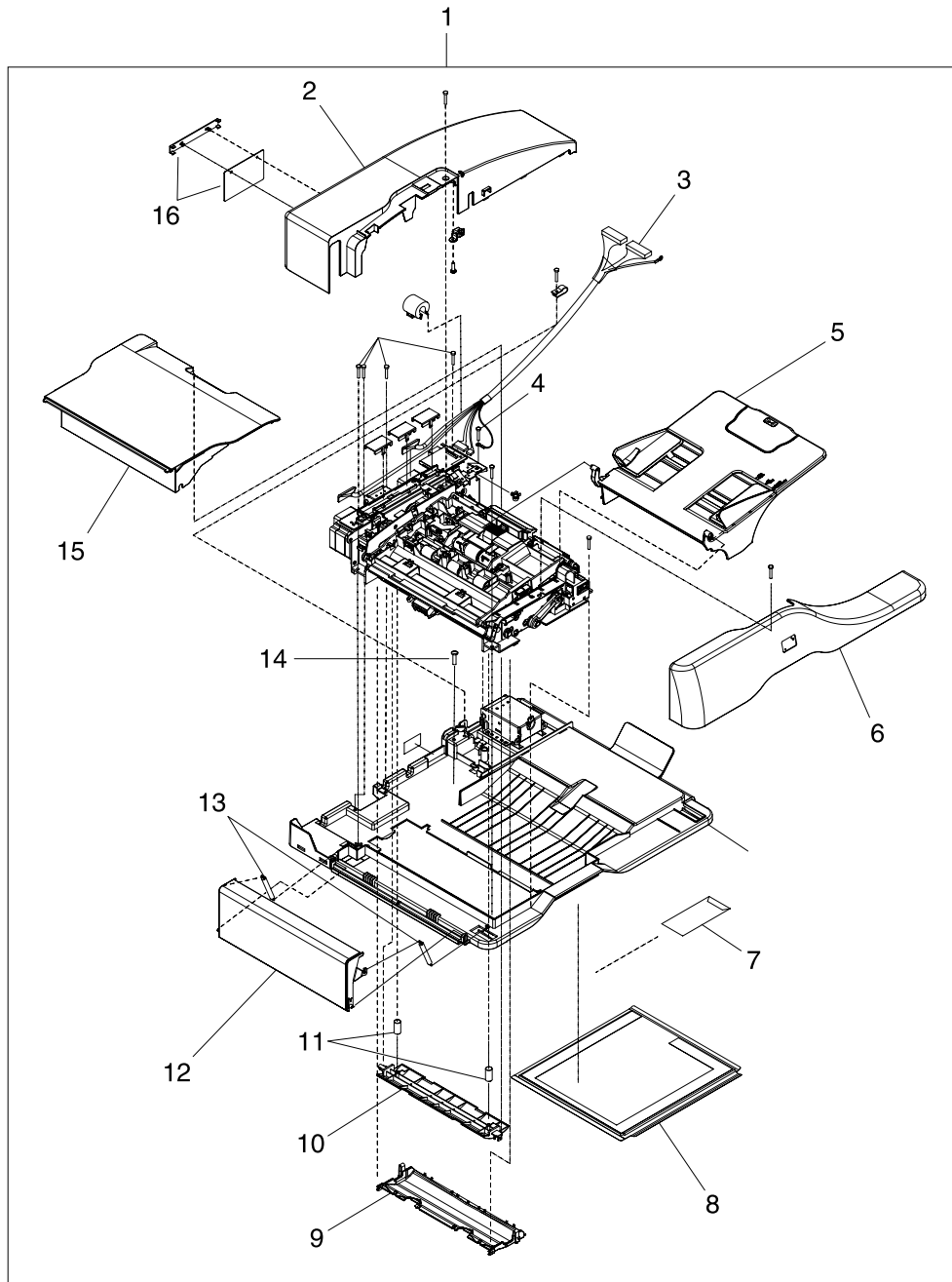


Figure 8-30 ADF assembly

**Table 8-29** ADF assembly

Reference	Description	Part number	Quantity
1	ADF assembly	PF2282K006NI	1
2	ADF rear cover	PF2282P044NI	1
3	ADF cable	PF2282K165NI	1
4	Screw, ADF	030080FWWSNI	
5	ADF input tray	PF2282K042NI	1
6	ADF front cover	PF2282P059NI	1
7	ADF mylar replacement kit	Q6496-67901	1
8	ADF white scan background	PF2282P339NI	1
9	ADF mylar holder assembly	PF2282K043NI	1
10	ADF white mylar backing	PF2282P025NI	1
11	ADF, springs for white mylar backing	PF2282P343NI	2
12	ADF left cover	PF2282P058NI	1
13	ADF, springs for left cover	PF2282P352NI	2
14	Screw, ADF, wave 4x10	PF2245P369NI	
15	ADF jam-access cover	PF2282P041NI	1
16	ADF hinge flaps (ESD)	PF2282K166NI	1