

ADF internal components (1 of 3)

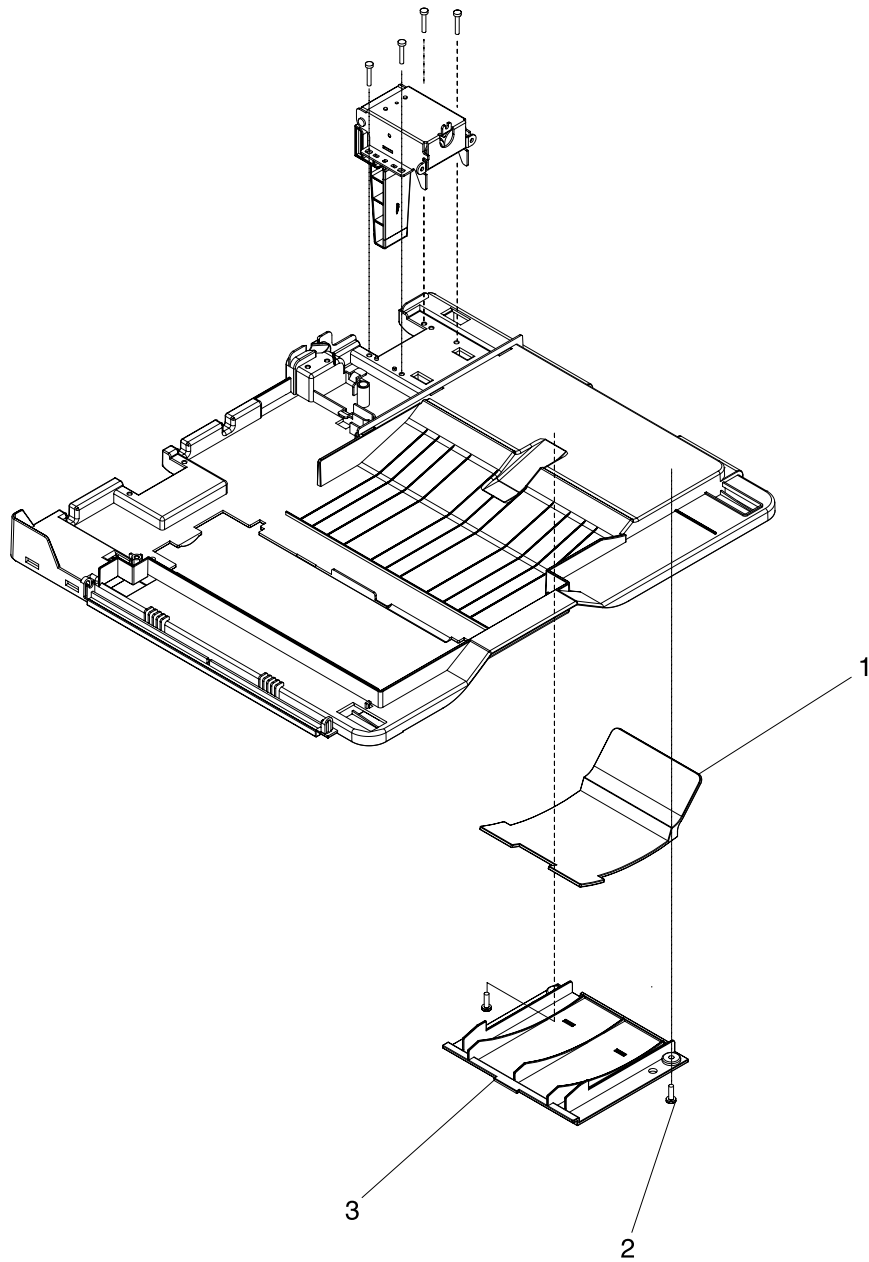


Figure 8-31 ADF internal components (1 of 3)

Table 8-30 ADF internal components (1 of 3)

Reference	Description	Part number	Quantity
1	ADF output-bin paper stop	PF2282P061NI	1
2	Screw, ADF	NS-SCR00029NI	
3	ADF output-bin-base cover	PF2282P060NI	1