

## ADF separation pad

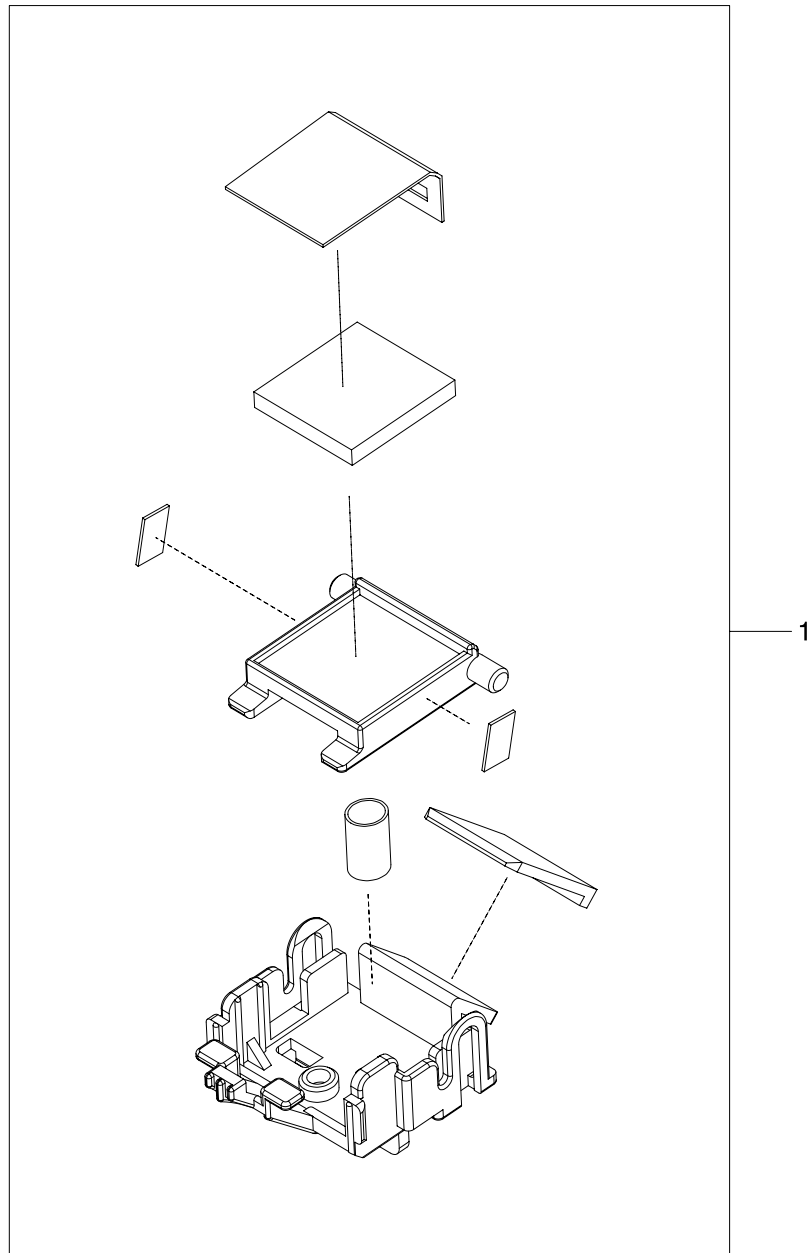


Figure 8-35 ADF separation pad

**Table 8-34** ADF separation pad

Reference	Description	Part number	Quantity
1	ADF separation-pad assembly	PF2282K035NI	1