

Electrical/forward assembly

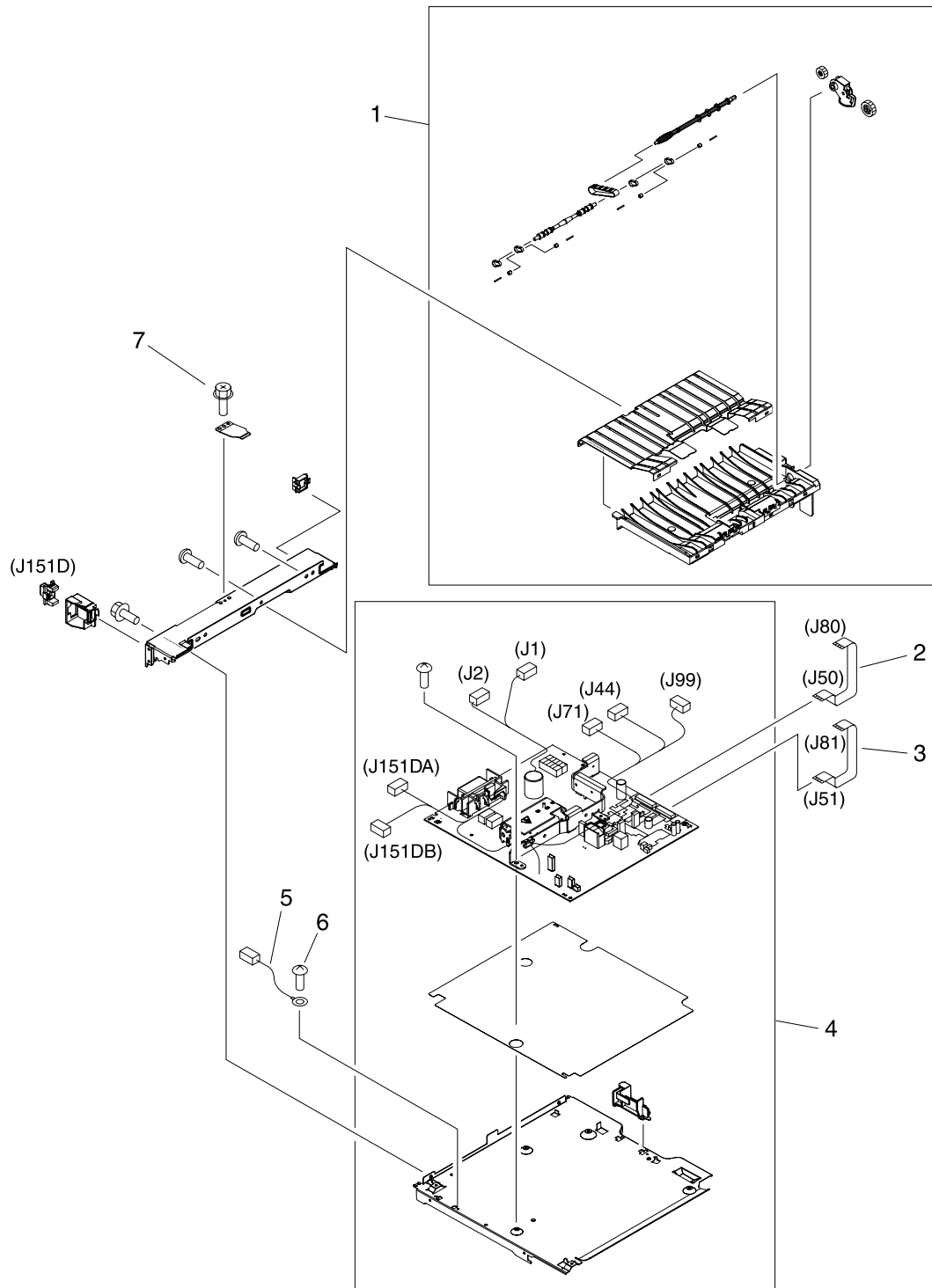


Figure 8-18 Electrical/forward assembly

Table 8-17 Electrical/forward assembly

Reference	Description	Part number	Quantity
1	Paper-feed assembly	RM1-0025-040CN	1
2	Cable, flat-flexible (engine power supply)	RK2-0470-000CN	1
3	Cable, flat-flexible (engine power supply)	RK2-0469-000CN	1
4	Engine power supply assembly (100–127 volt)	RM1-1041-000CN	1
4	Engine power supply assembly (220–240 volt)	RM1-1042-000CN	1
5	Cable, duplexing-unit grounding	RM1-1400-000CN	1
6	Screw, with washer, M3x6	XA9-1420-000CN	
7	Screw, flathead, RS, M3x6	XA9-1464-000CN	