

Fuser

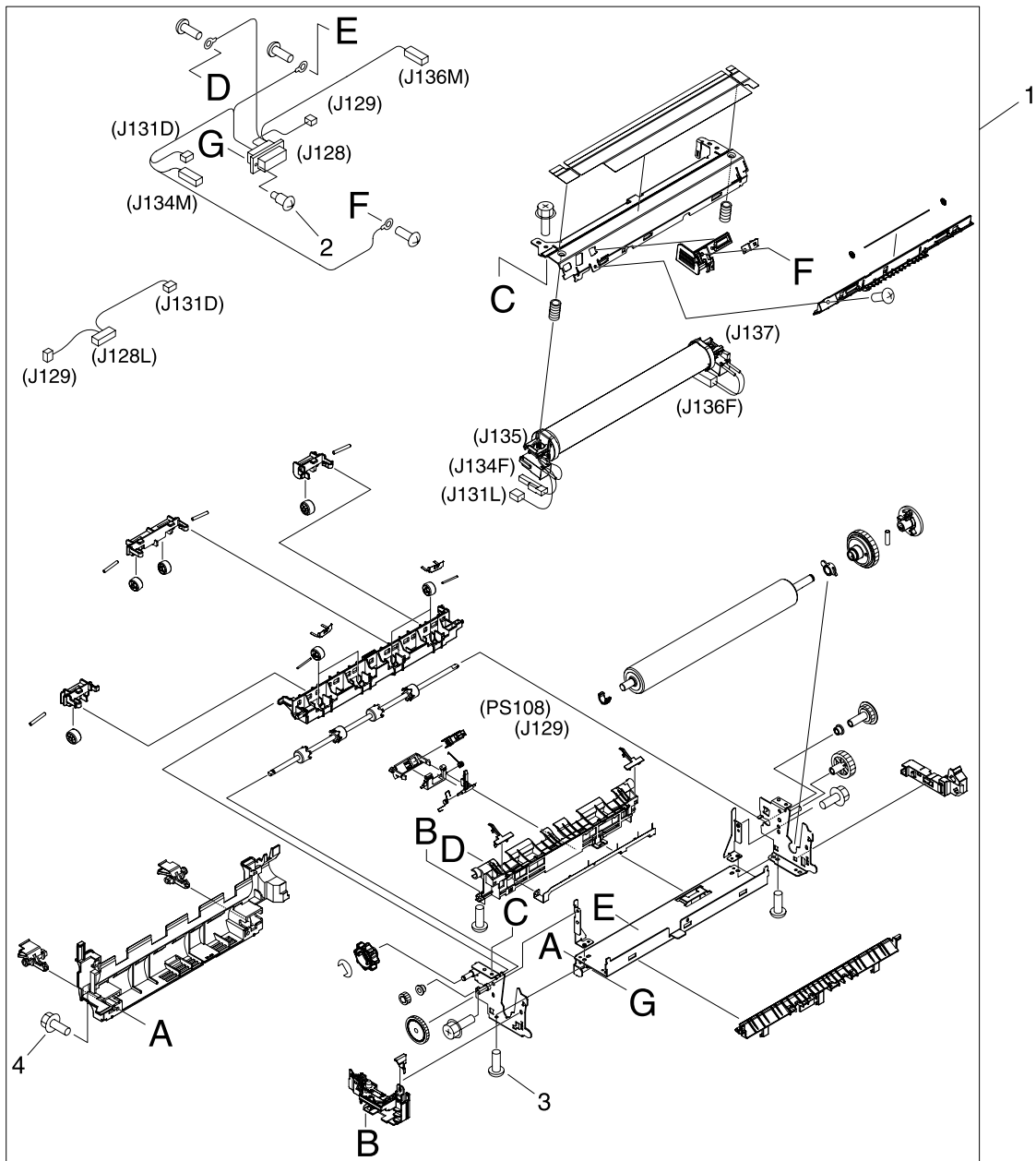


Figure 8-29 Fuser

Table 8-28 Fuser

Reference	Description	Part number	Quantity
1	Fuser (100–127 volt)	RM1-1043-000CN	1
1	Fuser (220–240 volt)	RM1-1044-000CN	1
2	Screw, stepped	RS1-9004-020CN	
3	Screw, M3x8	XA9-0650-000CN	
4	Screw, RS, M3x8	XA9-1449-000CN	