

Internal components (3 of 5)

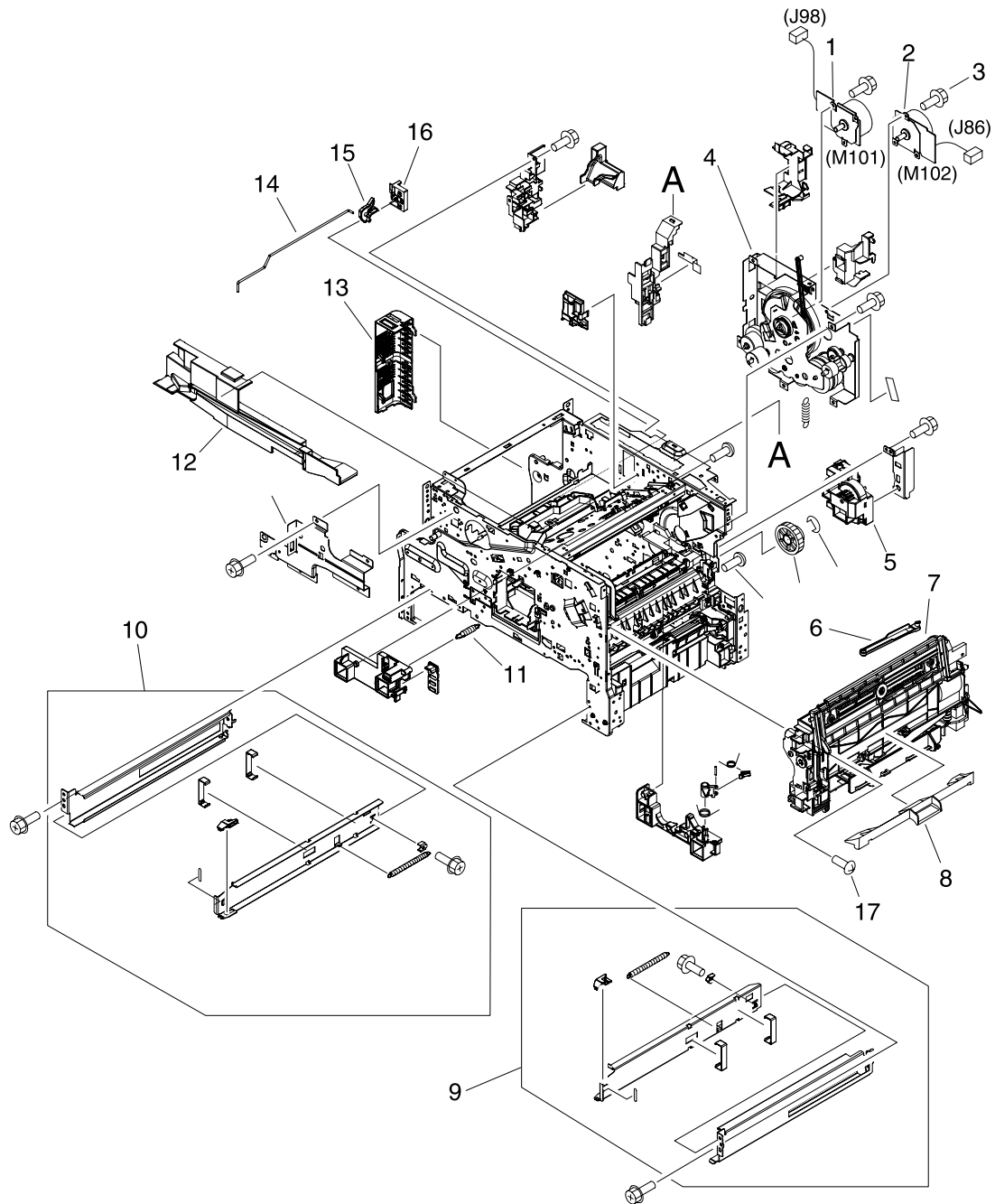


Figure 8-15 Internal components (3 of 5)

Table 8-14 Internal components (3 of 5)

Reference	Description	Part number	Quantity
1	Motor, dc 24-volt, (M101)	RK2-0272-000CN	1
2	Motor, dc 24-volt, (M102)	RK2-0274-000CN	1
3	Screw, tapping, M3x6	XA9-1503-000CN	
4	Main drive assembly	RM1-1049-000CN	1
5	Lifter drive assembly	RM1-1029-000CN	1
6	Rod, link	RC1-2902-000CN	1
7	Multipurpose tray assembly	RM1-1572-000CN	1
8	Cover, envelope-feeder slot	RL1-0455-000CN	1
9	Cassette rail assembly, right	RM1-1012-000CN	1
10	Cassette rail assembly, left	RM1-1011-000CN	1
11	Spring, grounding	RU5-2251-000CN	1
12	Guide, rear	RC1-2884-000CN	1
13	Cover, side, rear	RC1-3042-000CN	1
14	Rod, switch, front	RC1-2980-000CN	1
15	Link, switch	RC1-3003-000CN	1
16	Holder, link	RC1-3002-000CN	1
17	Screw, tapping, truss-head, M4x16	XB4-7401-605CN	