

Internal components (4 of 5)

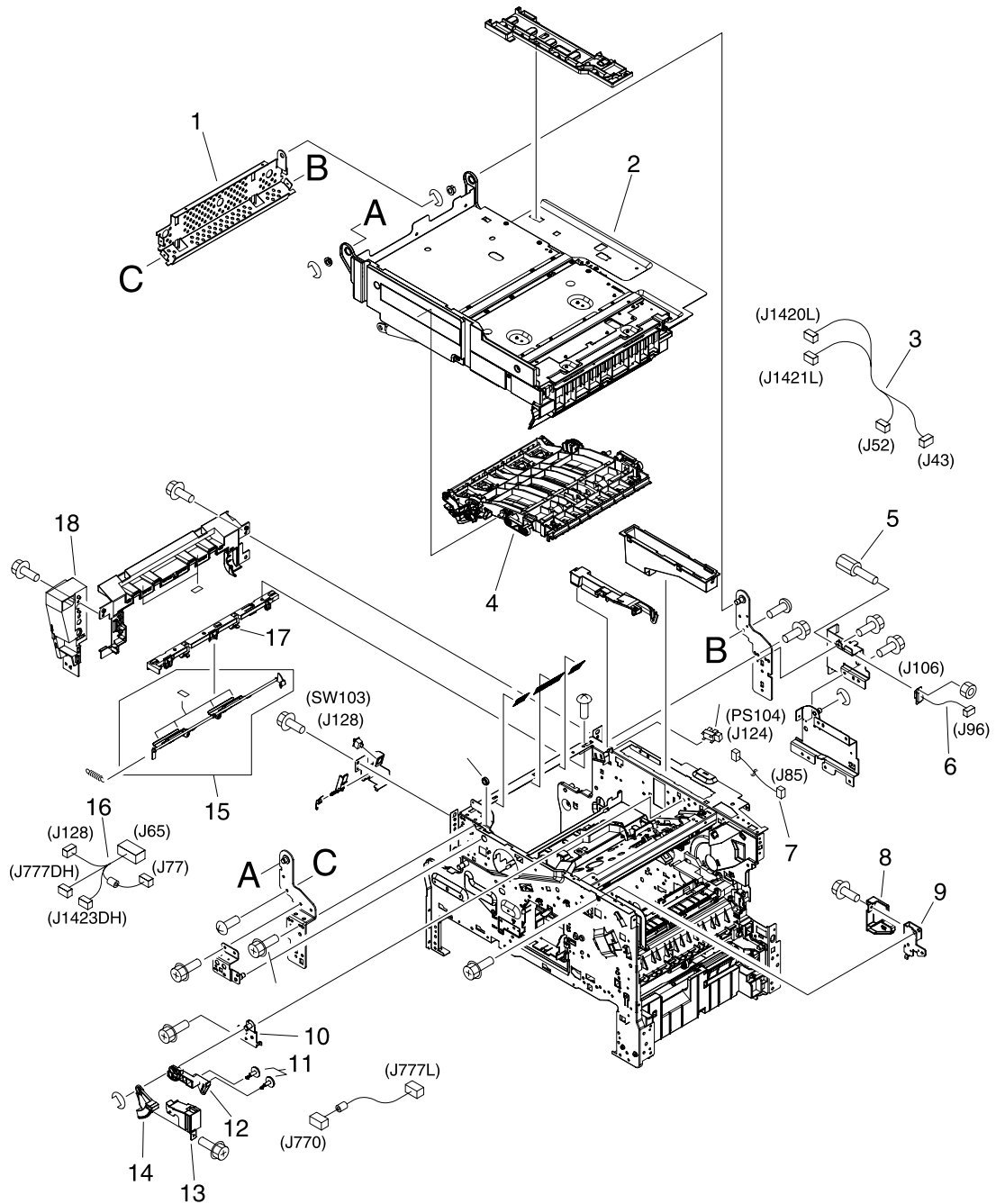


Figure 8-16 Internal components (4 of 5)

Table 8-15 Internal components (4 of 5)

Reference	Description	Part number	Quantity
1	Cross-member, support	RC1-2911-000CN	1
2	Upper plate assembly	For reference only	
3	Cable, reverse unit	RM1-1380-000CN	1
4	Reverse-separation guide assembly	RM1-1019-000CN	1
5	Bolt, hex-head	WS9-0255-000CN	2
6	Cable, output device connection	RM1-1371-000CN	1
7	Cable, output-bin full sensor	RM1-1368-000CN	1
8	Cover, front stopper	RC1-2823-000CN	1
9	Stopper, front lock	RL1-0434-000CN	1
10	Support, gas damper	RL1-0436-000CN	1
11	Stopper, bushing arm	RC1-3090-000CN	1
12	Arm, door, 1 (top cover)	RC1-2827-000CN	1
13	Cover, door arm (top cover)	RC1-2833-000CN	1
14	Arm, door, 2 (top cover)	RC1-2828-000CN	1
15	Flag, full-detect (output bin)	RC1-2863-000CN	1
16	Cable, control panel	RM1-1381-000CN	1
17	Holder, output-device-full sensor flag	RC1-2864-000CN	1
18	Cover, inner front	RC1-3041-000CN	1