

Internal components (5 of 5)

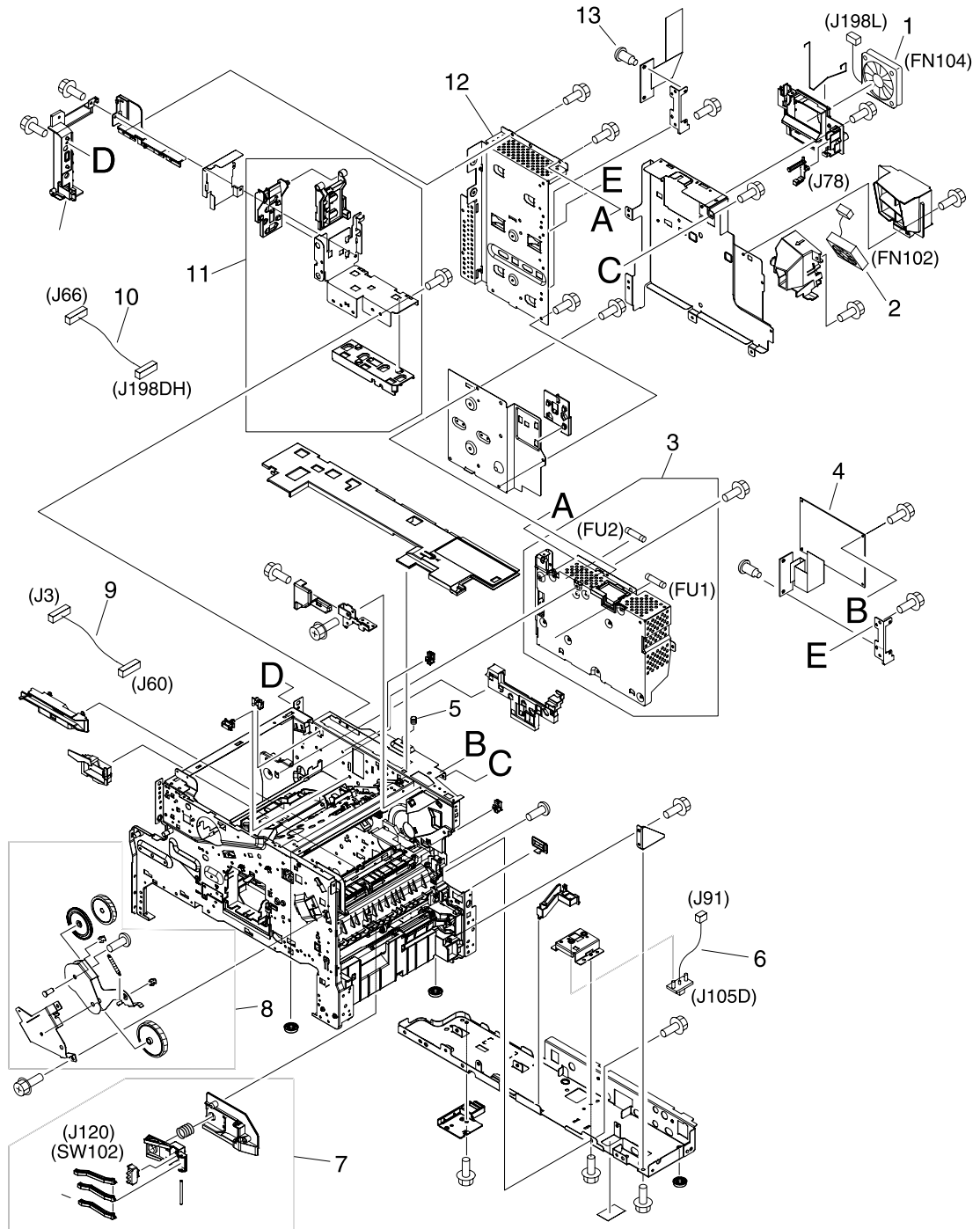


Figure 8-17 Internal components (5 of 5)

Table 8-16 Internal components (5 of 5)

Reference	Description	Part number	Quantity
1	Fan, dc controller (FN104)	RK2-0472-000CN	1
2	Fan, print cartridge (FN102)	RK2-0280-000CN	1
3	Power supply, PFC (100–127 volt)	RM1-1013-000CN	1
3	Power supply, PFC (220–240 volt)	RM1-1014-000CN	1
4	DC controller PCA	RM1-1354-000CN	1
5	Spring, compression	RU5-2265-000CN	1
6	Cable, optional 500-sheet feeder connection	RM1-1370-000CN	1
7	Sensor assembly, paper size (SW102)	RM1-0041-020CN	1
8	Swing-plate assembly	RM1-0043-020CN	1
9	Cable, power	RM1-1375-000CN	1
10	Cable, fan docking (for dc-controller fan)	RM1-1376-000CN	1
11	Guide assembly, flat-flexible cable	RM1-1027-000CN	1
12	Formatter assembly	Q3942–67901	1
13	Screw, stepped, M3	RC1-0266-020CN	